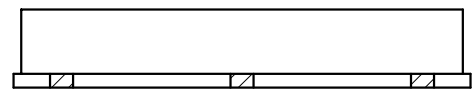
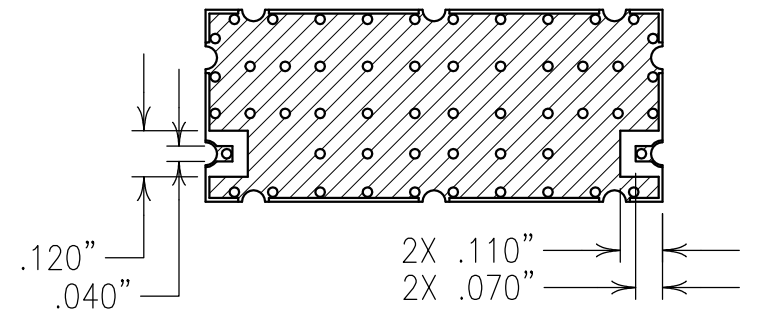
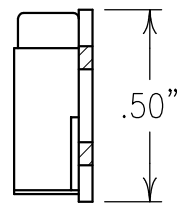
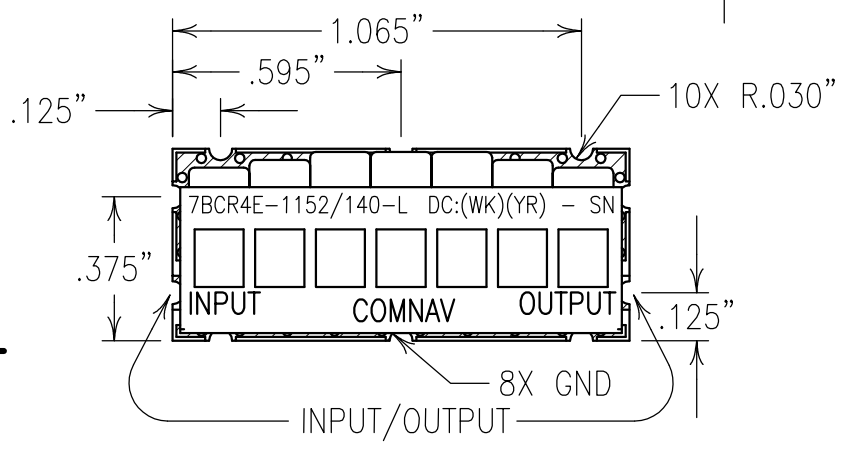
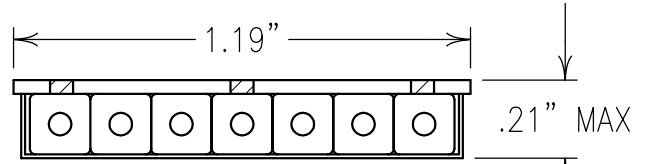
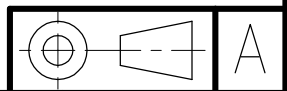


### ELECTRICAL CHARACTERISTICS

CENTER FREQUENCY: 1152 MHz  
 INSERTION LOSS: 2.0 dB MAX @FO  
 PASSBAND: 1088-1216 MHz  
 PASSBAND VARIATION: 1.0 dB MAX  
 PASSBAND FLATNESS: <0.5 dB MAX PEAK TO PEAK  
 VSWR: 1.5:1 TYP  
 REJECTION:  
 40 dBc MIN @1024 AND 1280 MHz  
 60 dBc MIN @100 TO 959 MHz  
 60 dBc MIN @1345 TO 3000 MHz



# COPY



Confidential and Proprietary information of ComNav Engineering Inc. Do Not Duplicate or Use Without Permission. ComNav Engineering Inc. claims Copyright in this document as of the Creation, last revision, and last updated dates. All Rights Reserved.

NOTES: RECOMMENDED ATTACHMENT METHOD: SILVER EPOXY OR REFLOW NOT TO EXCEED:		MAX. TIME
	TEMP.(°C)	(SECONDS)
	215	90
	230	60
	245	30
FOR RECOMMENDED FOOTPRINT SEE FP0135.	245	30
FILTER IS ROHS COMPLIANT.	260	15
FILTER MAY BE LABELED OR ETCHED.		

ENGLISH / METRIC ENGLISH	CHECKED BY				
TOLERANCES UNLESS OTHERWISE SPECIFIED MACHINED SURFACES TO BE 125/ OR BETTER REMOVE ALL BURRS	DRAWN BY PBF				
	ENGINEER KJR	II	04DEC07	KJR	DEV. INI. ISS. PER 2794
		REV	DATE	BY	DCN No. REMARKS
ENGLISH (INCHES) .XX ±.02 .XXX ±.01	METRIC (MM) .X ±.25 .XX ±.13	SCALE 2:1	APPLIC: CERAMIC COAXIAL FILTER		
ANGLES ± 0° 30'	DATE 07DEC07	TITLE: 7BCR4E-1152/140-L			
	FINISH: BOARD: NI/AU JACKET: NI/SILVER RESONATOR: SILVER	DRAWING No. 0L0806		SHEET/OF 1/1	