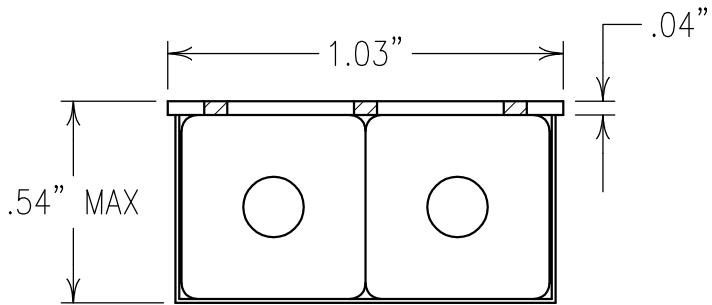


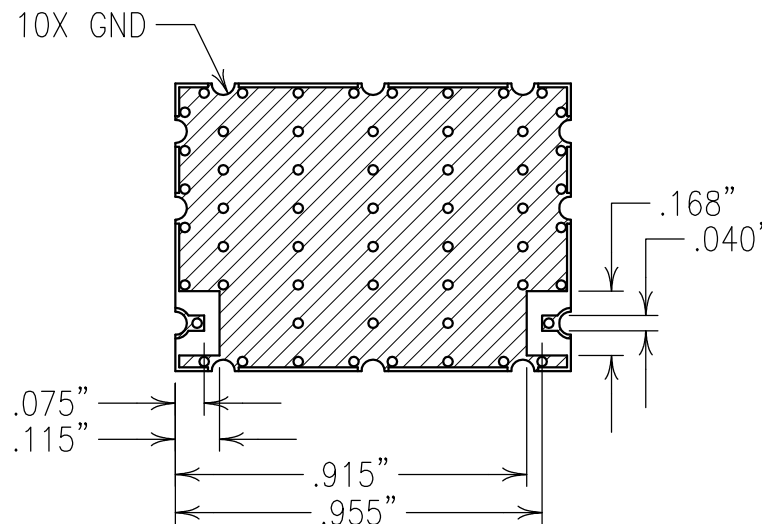
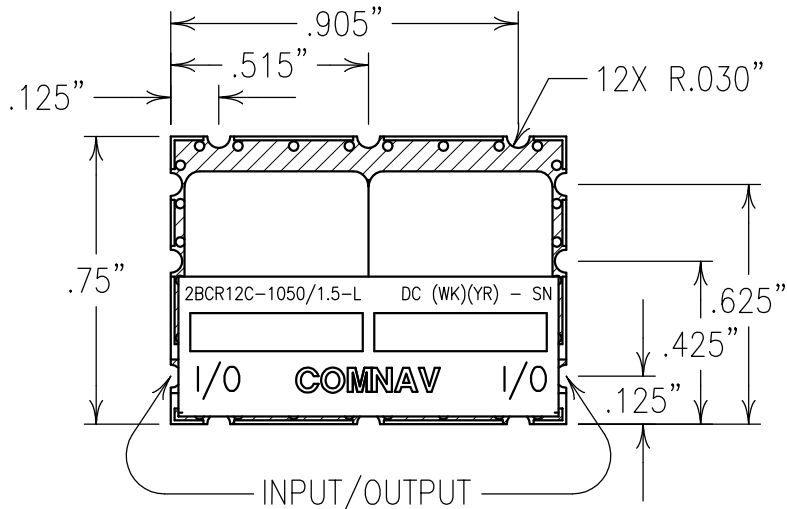
2

1



**COPY**

ELECTRICAL CHARACTERISTICS	
CENTER FREQUENCY:	1050 MHz
INSERTION LOSS:	7.5 dB MAX. @ FO
VSWR:	2.0:1 TYP.
REJECTION:	
	10 dBc MIN @ 1048 MHz
	10 dBc MIN @ 1052 MHz
OPERATING TEMP.:	0 TO +85 °C



**NOTES:**

- RECOMMENDED FOOTPRINT: FP0137.
  - NO TIN PLATING UNDER SOLDER MASK.
  - RECOMMENDED ATTACHMENT METHOD: SILVER EPOXY OR REFLOW NOT TO EXCEED AS INDICATED BELOW:
- | TEMP.(°C) | MAX.TIME(SEC) |
|-----------|---------------|
| 215       | 90            |
| 230       | 60            |
| 245       | 30            |
| 260       | 15            |
- FILTER IS ROHS COMPLIANT.  
 FILTER MAY BE ETCHED OR LABELED.

Confidential and Proprietary information of ComNav Engineering Inc. Do Not Duplicate or Use Without Permission. ComNav Engineering Inc. claims Copyright in this document as of the Creation, last revision, and last updated dates. All Rights Reserved.

ENGLISH / METRIC ENGLISH	CHECKED BY					
TOLERANCES UNLESS OTHERWISE SPECIFIED	DRAWN BY	A	20DEC07	KJR	DEV.	GEN. REV. PER 2806
MACHINED SURFACES TO BE 125 / OR BETTER REMOVE ALL BURRS	ENGINEER	II	04DEC07	KJR	DEV.	INI. ISS. PER 2793
ENGLISH (INCHES)	METRIC (MM)	SCALE	APPLIC: CERAMIC COAXIAL FILTER			
.XX ±.02	.X ±.25	2:1	TITLE: 2BCR12C-1050/1.5-L			
.XXX ±.010	.XX ±.13	DATE	20DEC07			
ANGLES ± 0° 30'	FINISH:	BOARD: NI/AU PLATED COPPER		DRAWING No.		SHEET OF 1 1
	JACKET: NI/SILVER			0L0805		
	RESONATOR: SILVER					