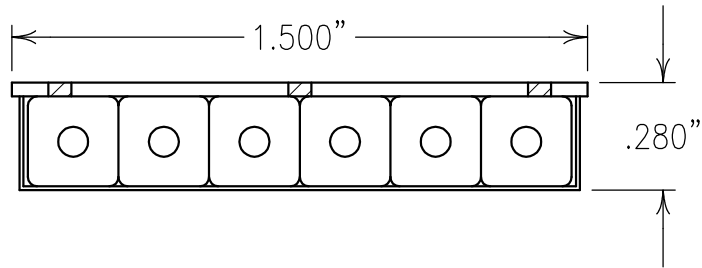


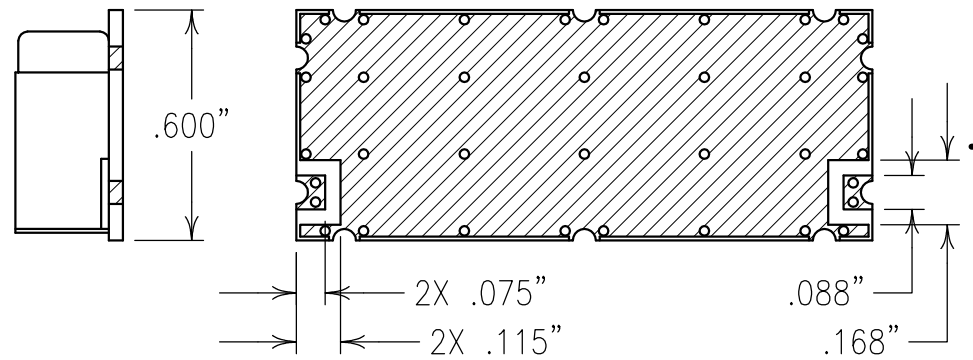
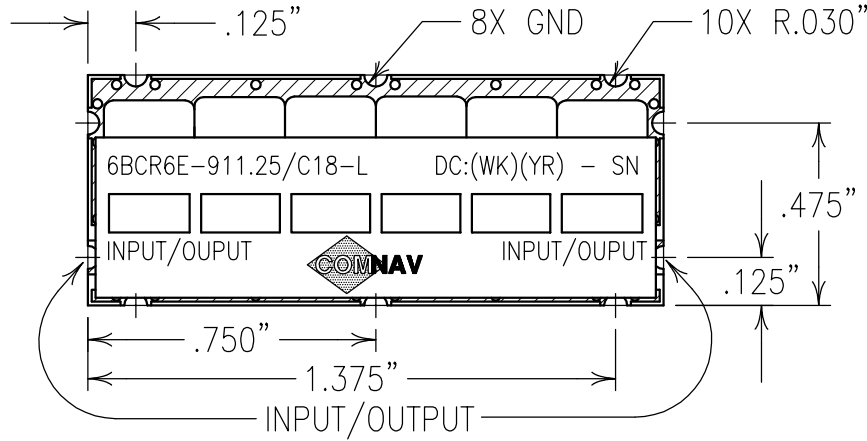
2

1



**COPY**

ELECTRICAL CHARACTERISTICS	
CENTER FREQUENCY:	911.25 MHz
PASSBAND:	904.25–918.25 MHz
PASSBAND INSERTION LOSS:	5.0 dB MAX
VSWR:	1.5:1 TYP
MAX INPUT POWER:	25 dBm
REJECTION:	
	60 dBc MIN @ 10 TO 30 MHz
	60 dBc MIN @ 801.75 MHz
	60 dBc MIN @ 844.75 MHz
	45 dBc MIN @ 889.75 MHz
	27 dBc MIN @ 896.75 MHz
	31 dBc MIN @ 927.75 MHz
	45 dBc MIN @ 935.75 MHz
	60 dBc MIN @ 1900 MHz
PASSBAND GROUP DELAY:	110 NSEC MAX
PASSBAND DELAY VARIATION:	25 NSEC MAX
OPERATING TEMP.:	-40° TO +85° C



NOTES:  
 COMNAV PART NUMBER, CUSTOMER PART NUMBER AND DATE CODE ARE ETCHED ON THE JACKET.

RECOMMENDED ATTACHMENT METHOD: SILVER EPOXY OR REFLOW NOT TO EXCEED AS INDICATED BELOW:  
 TEMP.(°C) MAX.TIME(SEC)

215	90	
230	60	RECOMMENDED FOOTPRINT: FP0097.
245	30	FILTER IS ROHS COMPLIANT.
260	15	FILTER MAY BE LABELED OR ETCHED.

Confidential and Proprietary information of ComNav Engineering Inc. Do Not Duplicate or Use Without Permission. ComNav Engineering Inc. claims Copyright in this document as of the Creation, last revision, and last updated dates. All Rights Reserved.								A
ENGLISH / METRIC ENGLISH		CHECKED BY						
TOLERANCES UNLESS OTHERWISE SPECIFIED MACHINED SURFACES TO BE 125 OR BETTER REMOVE ALL BURRS		DRAWN BY PBF						
		ENGINEER KJR		II	04DEC07	KJR	DEV.	INI. ISS. PER 2792
		SCALE 2:1		APPLIC: CERAMIC COAXIAL FILTER				
		DATE 05DEC07		TITLE: 6BCR6E-911.25/C18-L				
ENGLISH (INCHES) .XX ±.02 .XXX ±.01		METRIC (MM) .X ±.25 .XX ±.13		FINISH: BOARD: NI/GOLD JACKET: NI/SILVER RESONATOR: SILVER		DRAWING No. 010803		SHEET/OF 1/1
ANGLES ± 0° 30'								