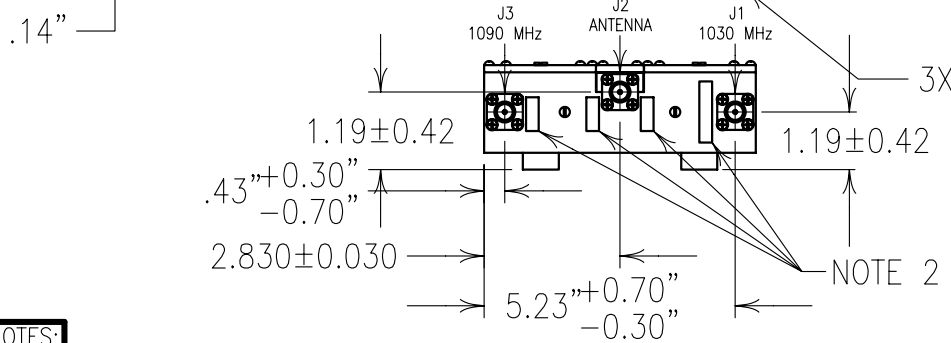
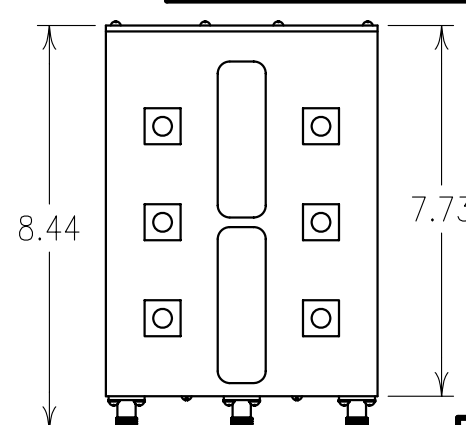
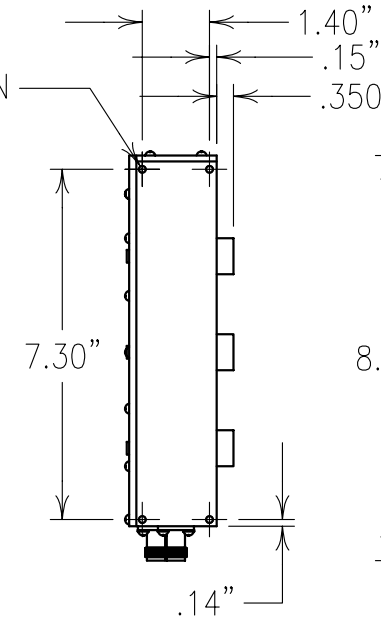
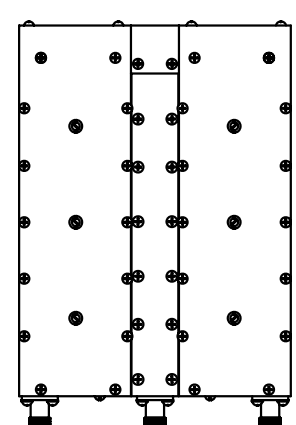
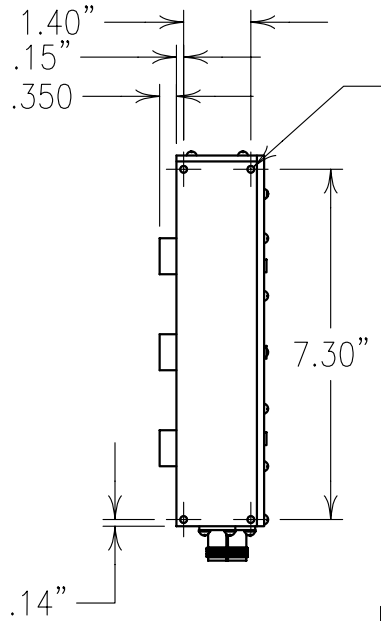
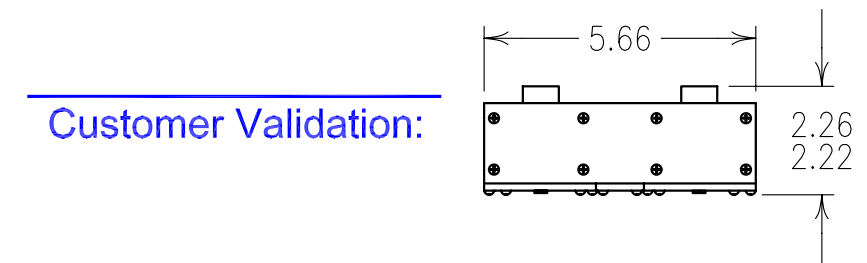


Customer Validation:

COPY

ELECTRICAL CHARACTERISTICS (NOTE1)

	CHANNEL 1	CHANNEL 2
CENTER FREQUENCY:	1030 MHz	1090 MHz
3 dB BANDWIDTH:	24 TO 40 MHz	24 TO 40 MHz
LOSS @ FO:	0.5 dB MAX	0.5 dB MAX
FO±4.5 MHz:	1 DEG. PK/PK	1 DEG. PK/PK
FO±4.5 MHz:	0.05 dB PK/PK	0.05 dB PK/PK
FO±6.0 MHz:	5 NSEC PK/PK	5 NSEC PK/PK
FO±6.0 MHz:	0.08 dB PK/PK	0.08 dB PK/PK
FO±6.0 MHz:	1.2:1 VSWR	1.2:1 VSWR
FO±7.25 MHz:	10 NSEC PK/PK	10 NSEC PK/PK
FO±7.25 MHz:	0.10 dB PK/PK	0.10 dB PK/PK
FO±7.25 MHz:	1.25:1 VSWR	1.25:1 VSWR
30 dBc REJECTION:	800-970 MHz	860-1030 MHz
30 dBc REJECTION:	1090-1500 MHz	1150-1560 MHz
30 dBc REJECTION:	4200-10000 MHz	4440-10000 MHz
40 dBc REJECTION:	DC-800 MHz	DC-860 MHz
40 dBc REJECTION:	2100-4200 MHz	2220-4440 MHz
50 dBc REJECTION:	1500-2100 MHz	1560-2220 MHz
OPERATING TEMP:	-20° TO +80° C	
POWER HANDLING:	4500 WATTS PEAK/100 WATTS AVE	
SELF GENERATED IMD/HD	100 dBc MAX	



Confidential and Proprietary information of ComNav Engineering Inc. Do Not Duplicate or Use Without Permission. ComNav Engineering Inc. claims Copyright in this document as of the Creation, last revision, and last updated dates. All Rights Reserved.

- NOTES:
- ALL INFO ON THIS DRAWING IS FOR REFERENCE ONLY. ACTUAL ELECTRICAL, ENVIRONMENTAL AND MECHANICAL CHARACTERISTICS ARE SPECIFIED BY TELEPHONICS DOCUMENT T5985-0071 REV. A WITH SVR 3130.
 - LABELS ARE AS SPECIFIED BY TELEPHONICS DOCUMENT T5985-0071.
 - APPROX. WEIGHT: 4.4 ±0.5 LBS.*
*FINAL WEIGHT TO BE DETERMINED AT TIME OF CONSTRUCTION.
FILTER IS ROHS COMPLIANT

ENGLISH / METRIC ENGLISH	CHECKED BY				
TOLERANCES UNLESS OTHERWISE SPECIFIED MACHINED SURFACES TO BE 125 / OR BETTER REMOVE ALL BURRS	DRAWN BY PBF				
	ENGINEER MJG	II	12NOV07	MJG	DEV.
		REV	DATE	BY	DCN No.
ENGLISH (INCHES) .XX ±.01 .XXX ±.005	METRIC (MM) .X ±.2 .XX ±.13	SCALE 1:4			
ANGLES ± 0° 30'	DATE 05DEC07		APPLIC: CERAMIC COAXIAL FILTER		
MATERIAL: ALUMINUM		TITLE: 6DCVPDL-1030/1090/30-T		DRAWING No. 0L0798	
FINISH: YELLOW IRRIDITE CONVERSION COATING				SHEET OF 1 1	