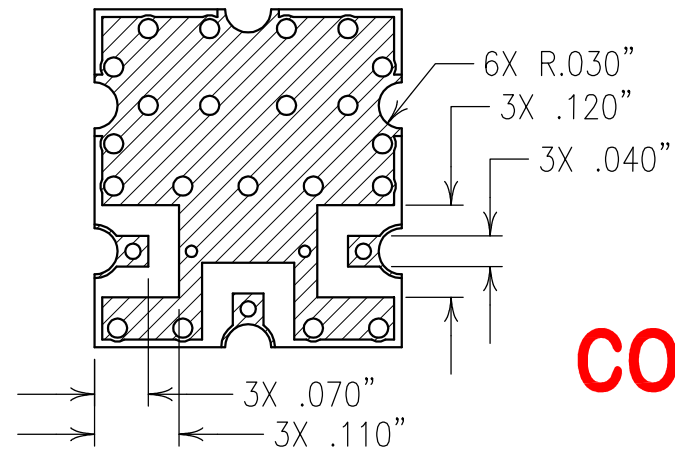
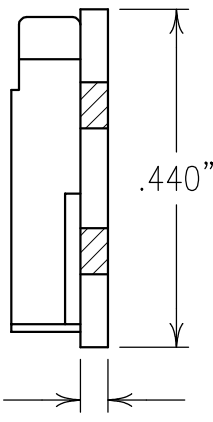
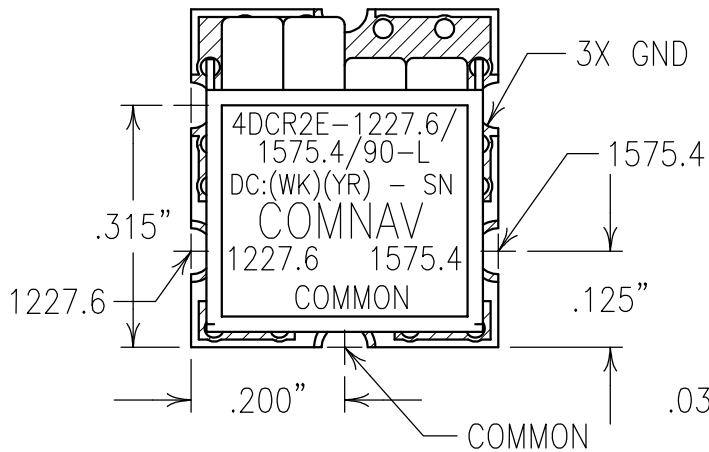
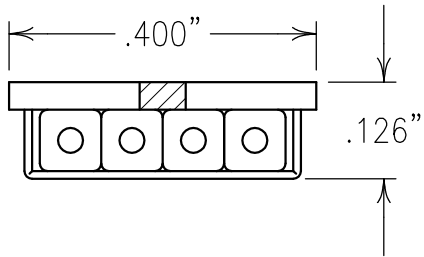


ELECTRICAL CHARACTERISTICS

	L2	L1
CENTER FREQUENCY	1227.6 MHz	1575.4 MHz
3dB BANDWIDTH	90 MHz NOM	90 MHz NOM
PASSBAND	1219.6-1235.6 MHz	1567.4-1583.4 MHz
PASSBAND LOSS	<1.5 dB GOAL (0.5 MAX)	<1.5 dB GOAL (0.5 MAX)
PASSBAND VSWR	<1.7:1	<1.7:1
PASSBAND DELAY FLATNESS:	<0.5 NSEC	<0.5 NSEC
30 dBc REJECTION:	fo ± 300 MHz	fo ± 300 MHz
10 dBc REJECTION:	fo ± 75 MHz	fo ± 75 MHz
POWER HANDLING:	+2W CW(30-20000 MHz)	+2W CW(30-20000 MHz)
TEMP. RANGE:	-55 TO +100°C	-55 TO +100°C
RF PORTS:	DC OPEN	DC OPEN



COPY

NOTES:

RECOMMENDED ATTACHMENT METHOD: SILVER EPOXY OR REFLOW NOT TO EXCEED AS INDICATED BELOW:

TEMP.(°C) MAX.TIME(SEC)

215	90
230	60
245	30
260	15

FILTER MAY BE ETCHED OR LABELED.
FILTER IS ROHS COMPLIANT

Confidential and Proprietary information of ComNav Engineering Inc. Do Not Duplicate or Use Without Permission. ComNav Engineering Inc. claims Copyright in this document as of the Creation, last revision, and last updated dates. All Rights Reserved.

ENGLISH / METRIC ENGLISH	CHECKED BY B	21NOV07	KJR	DEV.	GEN. REV. PER 2783
TOLERANCES UNLESS OTHERWISE SPECIFIED MACHINED SURFACES TO BE 125 OR BETTER REMOVE ALL BURRS	DRAWN BY PBF	A	19NOV07	KJR	DEV. GEN. REV. PER 2781
	ENGINEER KJR	II	08NOV07	KJR	DEV. INI. ISS. PER 2773
	REV	DATE	BY	DCN No.	REMARKS
ENGLISH (INCHES) .XX ±.01 .XXX ±.005 ANGLES ± 0° 30'	METRIC (MM) .X ±.2 .XX ±.13	SCALE 4:1	APPLIC: CERAMIC COAXIAL FILTER		
	DATE 27NOV07	TITLE: 4DCR2E-1227.6/1575.4/90-L			
FINISH: BOARD: NI/AU PLATED COPPER JACKET: NI/SILVER RESONATOR: SILVER		DRAWING No. 0L0797		SHEET OF 1 1	