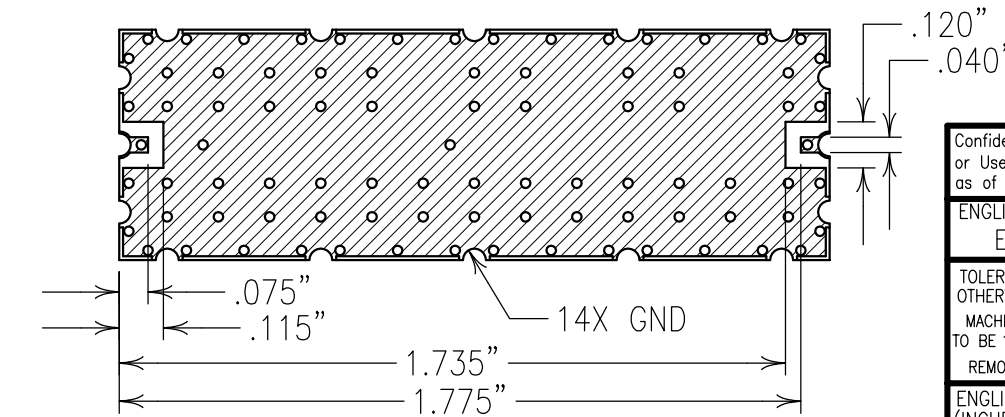
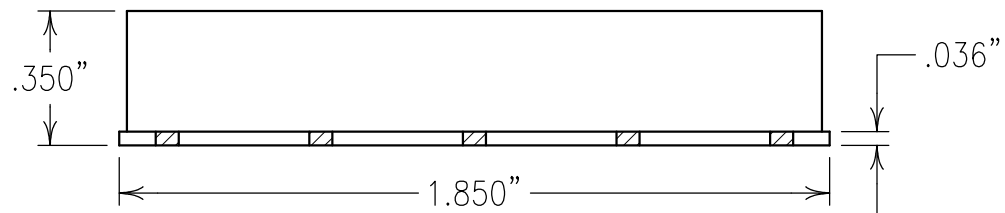
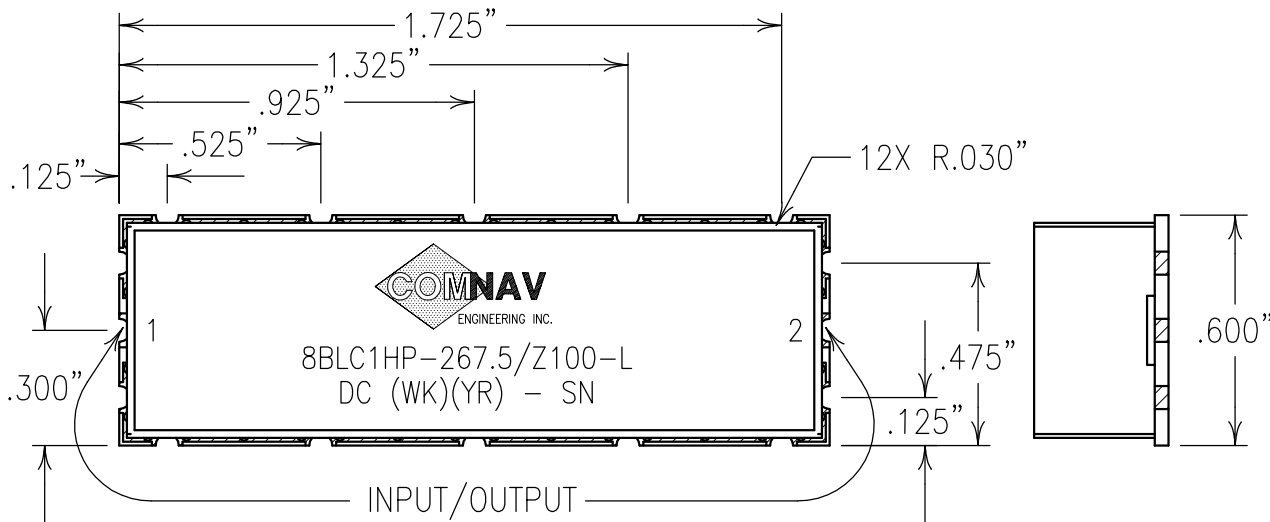


2

1



**COPY**

ELECTRICAL CHARACTERISTICS

CENTER FREQUENCY:	267.5 MHz
PASSBAND:	225-310 MHz
PASSBAND INSERTION LOSS:	0.8 dB MAX
PASSBAND FLATNESS:	0.2 dB MAX
PASSBAND RETURN LOSS:	14 dB MIN
ATTENUATION:	
DC-90 MHz:	80 dBc MIN*
110-155 MHz:	60 dBc MIN
420-620 MHz:	60 dBc MIN
1000-3100 MHz:	70 dBc MIN*
OPERATING TEMP.:	-40 TO +85°C
MAX. POWER HANDLING:	40 WATTS IN PASSBAND INTO 10:1 MISMATCH

NOTES:

NO TIN PLATING UNDER SOLDER MASK.  
 RECOMMENDED ATTACHMENT METHOD:  
 SILVER EPOXY OR REFLOW NOT TO  
 EXCEED AS INDICATED BELOW:

TEMP.(°C)	MAX.TIME(SEC)
215	90
230	60
245	30
260	15

LABEL MUST BE PLACED WITH THE  
 LOWPASS ON THE LEFT SIDE.  
 FILTER IS ROHS COMPLIANT.

Confidential and Proprietary information of ComNav Engineering Inc. Do Not Duplicate or Use Without Permission. ComNav Engineering Inc. claims Copyright in this document as of the Creation, last revision, and last updated dates. All Rights Reserved.

ENGLISH / METRIC ENGLISH	CHECKED BY C	07JUL08	KJR	DEV.	GEN. REV. PER 2905
TOLERANCES UNLESS OTHERWISE SPECIFIED MACHINED SURFACES TO BE 125 / OR BETTER REMOVE ALL BURRS	DRAWN BY PBF	B	27DEC07	KJR	DEV. GEN. REV. PER 2820
	ENGINEER KJR	A	14DEC07	KJR	DEV. GEN. REV. PER 2803
	REV	DATE	BY	DCN No.	REMARKS
ENGLISH (INCHES) .XX ±.02 .XXX ±.010	METRIC (MM) .X ±.25 .XX ±.13	SCALE 2:1	APPLIC: LC FILTER		
ANGLES ± 0° 30'	DATE 12AUG08	TITLE: 8BLC1HP-267.5/Z100-L			
COMNAV ENGINEERING INC.	FINISH: BOARD: NI/AU PLATED COPPER JACKET: NI/SILVER RESONATOR: SILVER	DRAWING No. OL0782		SHEET OF 1 1	