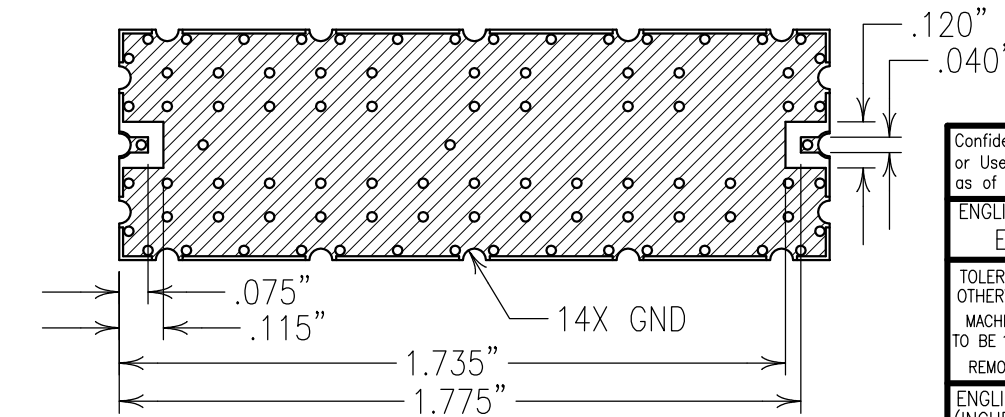
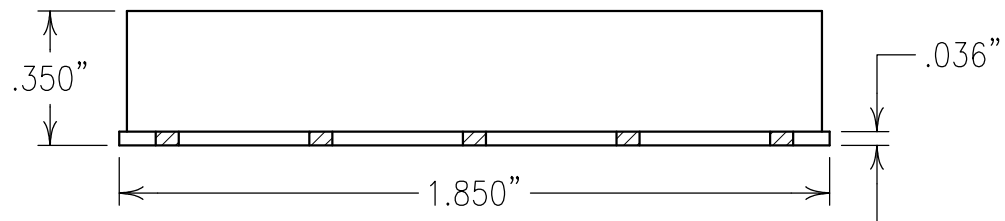
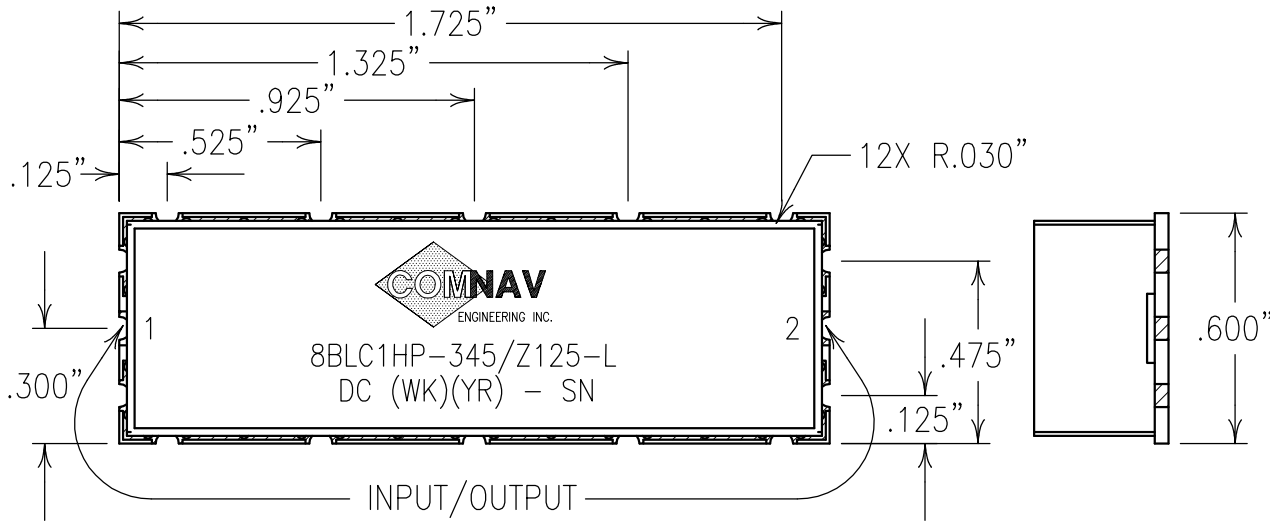


2

1



**COPY**

### ELECTRICAL CHARACTERISTICS

CENTER FREQUENCY:	345 MHz
PASSBAND:	290-400 MHz
PASSBAND INSERTION LOSS:	0.9 dB MAX
PASSBAND FLATNESS:	0.2 dB MAX
PASSBAND RETURN LOSS:	14 dB MIN
ATTENUATION:	
DC-90 MHz:	80 dBc MIN*
145-200 MHz:	60 dBc MIN
580-800 MHz:	60 dBc MIN
1000-3100 MHz:	70 dBc MIN*
OPERATING TEMP.:	-40 TO +85°C
MAX. POWER HANDLING:	40 WATTS IN PASSBAND INTO 10:1 MISMATCH

\*DESIGN TO MEET

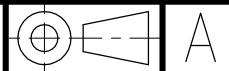
### NOTES:

NO TIN PLATING UNDER SOLDER MASK.  
RECOMMENDED ATTACHMENT METHOD:  
SILVER EPOXY OR REFLOW NOT TO  
EXCEED AS INDICATED BELOW:

TEMP.(°C)	MAX.TIME(SEC)
215	90
230	60
245	30
260	15

LABEL MUST BE PLACED WITH THE  
LOWPASS ON THE LEFT SIDE.  
FILTER IS ROHS COMPLIANT.

Confidential and Proprietary information of ComNav Engineering Inc. Do Not Duplicate or Use Without Permission. ComNav Engineering Inc. claims Copyright in this document as of the Creation, last revision, and last updated dates. All Rights Reserved.



ENGLISH / METRIC ENGLISH	CHECKED BY C	07JUL08	KJR	DEV.	GEN. REV. PER 2905
TOLERANCES UNLESS OTHERWISE SPECIFIED MACHINED SURFACES TO BE 125 / OR BETTER REMOVE ALL BURRS	DRAWN BY PBF	B	27DEC07	KJR	DEV. GEN. REV. PER 2820
	ENGINEER KJR	A	14DEC07	KJR	DEV. GEN. REV. PER 2803
	REV	DATE	BY	DCN No.	REMARKS
ENGLISH (INCHES) .XX ±.02 .XXX ±.010	METRIC (MM) .X ±.25 .XX ±.13	SCALE 2:1	APPLIC: LC FILTER		
ANGLES ± 0° 30'	DATE 12AUG08	TITLE: 8BLC1HP-345/Z125-L			



FINISH: BOARD: NI/AU PLATED COPPER  
JACKET: NI/SILVER  
RESONATOR: SILVER

DRAWING No. 0L0781  
SHEET OF 1 1