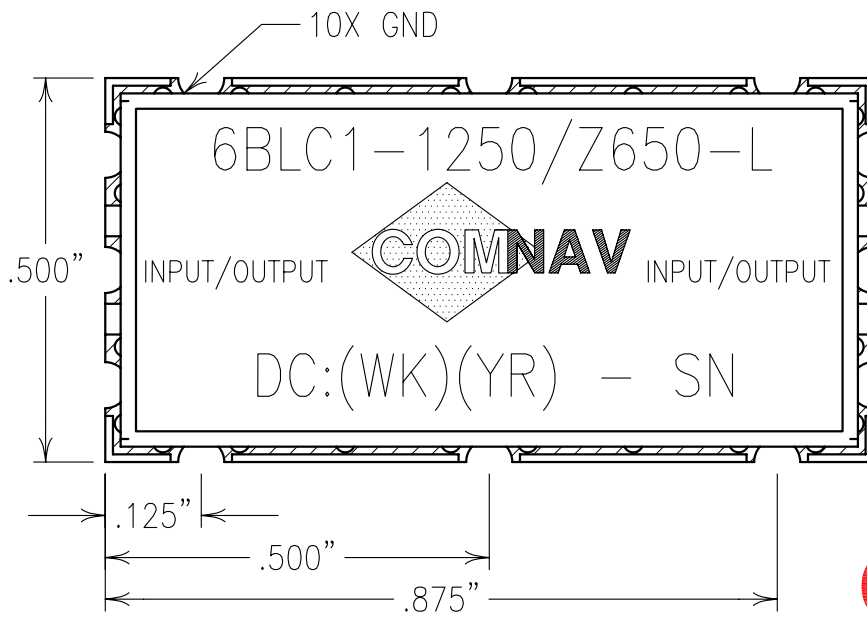
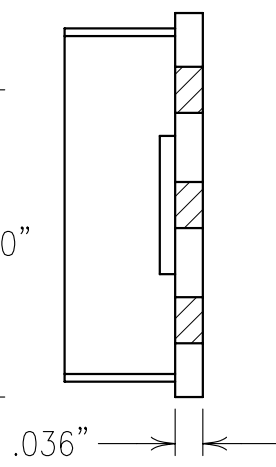


2

1

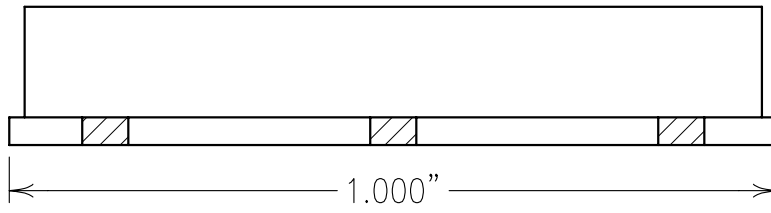


ELECTRICAL CHARACTERISTICS	
CENTER FREQUENCY:	1250 MHz
PASSBAND:	980-1520 MHz
PASSBAND LOSS:	< 1.0 dB
PASSBAND FLATNESS:	0.5 dB MAX (0.3 dB GOAL)
PB RETURN LOSS:	>12 dB
REJECTION:	
DC-850 MHz:	25 dBc
1750-3000 MHz:	25 dBc
POWER HANDLING:	1 WATT



COPY

Customer Validation:

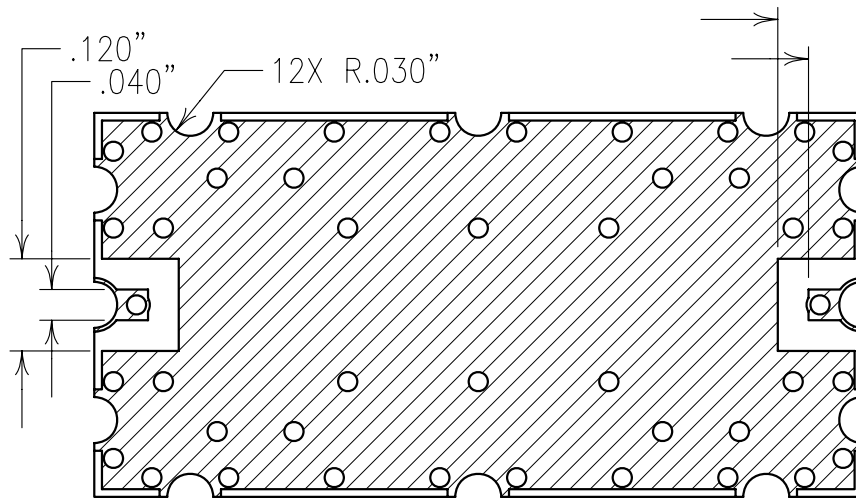


NOTES:

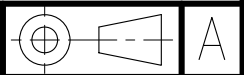
RECOMMENDED ATTACHMENT METHOD: SILVER EPOXY OR REFLOW NOT TO EXCEED AS INDICATED BELOW:

TEMP.(°C)	MAX.TIME(SEC)
215	90
230	60
245	30
260	15

FILTER IS ROHS COMPLIANT



Confidential and Proprietary information of ComNav Engineering Inc. Do Not Duplicate or Use Without Permission. ComNav Engineering Inc. claims Copyright in this document as of the Creation, last revision, and last updated dates. All Rights Reserved.



ENGLISH / METRIC ENGLISH	CHECKED BY						
TOLERANCES UNLESS OTHERWISE SPECIFIED MACHINED SURFACES TO BE 125/ OR BETTER REMOVE ALL BURRS	DRAWN BY PBF						
ENGLISH (INCHES) .XX ±.02 .XXX ±.01	ENGINEER KJR	REV II	DATE 20SEP07	BY KJR	DCN No.	DEV. INI. ISS. PER 2739	REMARKS
SCALE 4:1	APPLIC: LC FILTER	TITLE: 6BLC1-1250/Z650-L					
DATE 28SEP07	FINISH: BOARD: NI/GOLD JACKET: NI/SILVER RESONATOR: SILVER	DRAWING No. OL0776				SHEET/OF 1/1	