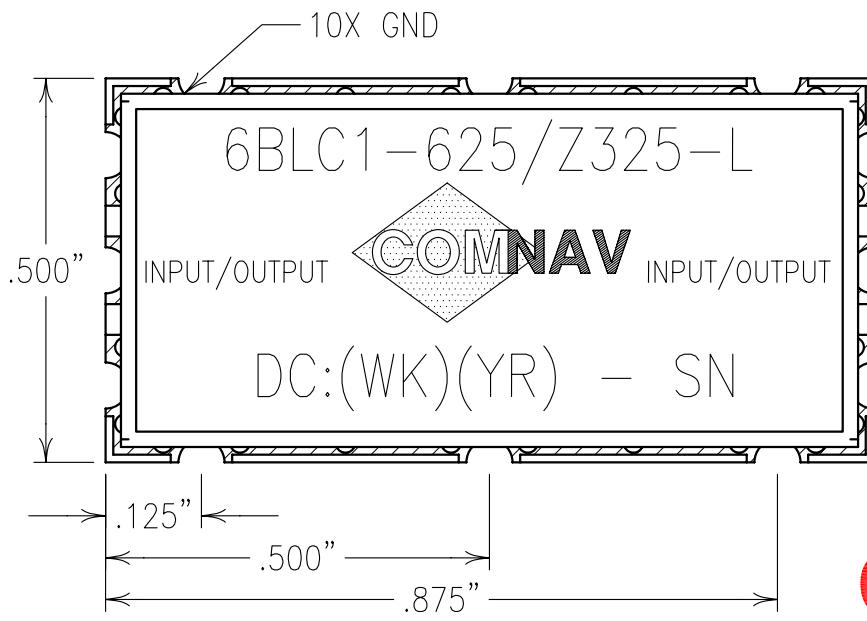
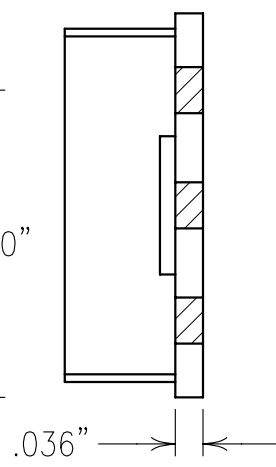


2

1

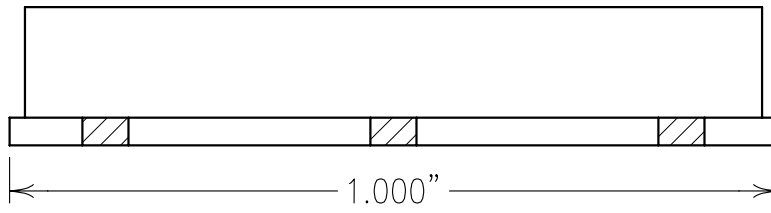


ELECTRICAL CHARACTERISTICS	
CENTER FREQUENCY:	625 MHz
PASSBAND:	480-770 MHz
PASSBAND LOSS:	< 1.0 dB
PASSBAND FLATNESS:	0.5 dB MAX (0.3 dB GOAL)
PB RETURN LOSS:	>12 dB
REJECTION:	
DC-425 MHz:	25 dBc
900-3000 MHz:	25 dBc
POWER HANDLING:	1 WATT



**COPY**

**Customer Validation:**

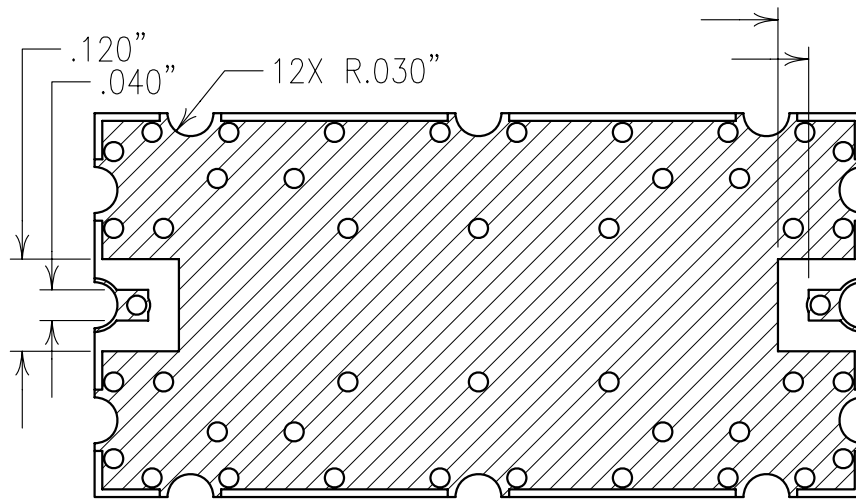


NOTES:

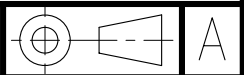
RECOMMENDED ATTACHMENT METHOD: SILVER EPOXY OR REFLOW NOT TO EXCEED AS INDICATED BELOW:

TEMP.(°C)	MAX.TIME(SEC)
215	90
230	60
245	30
260	15

FILTER IS ROHS COMPLIANT



Confidential and Proprietary information of ComNav Engineering Inc. Do Not Duplicate or Use Without Permission. ComNav Engineering Inc. claims Copyright in this document as of the Creation, last revision, and last updated dates. All Rights Reserved.



ENGLISH / METRIC ENGLISH	CHECKED BY				
TOLERANCES UNLESS OTHERWISE SPECIFIED MACHINED SURFACES TO BE 125/ OR BETTER REMOVE ALL BURRS	DRAWN BY PBF				
ENGLISH (INCHES) .XX ±.02 .XXX ±.01	ENGINEER KJR	REV II	DATE 20SEP07	BY KJR	DCN No. DEV. INI. ISS. PER 2739
ANGLES ± 0° 30'	SCALE 4:1	APPLIC: LC FILTER			
	DATE 28SEP07	TITLE: 6BLC1-625/Z325-L			
COMNAV ENGINEERING INC.	FINISH: BOARD: NI/GOLD JACKET: NI/SILVER RESONATOR: SILVER	DRAWING No. OL0775			SHEET/OF 1/1