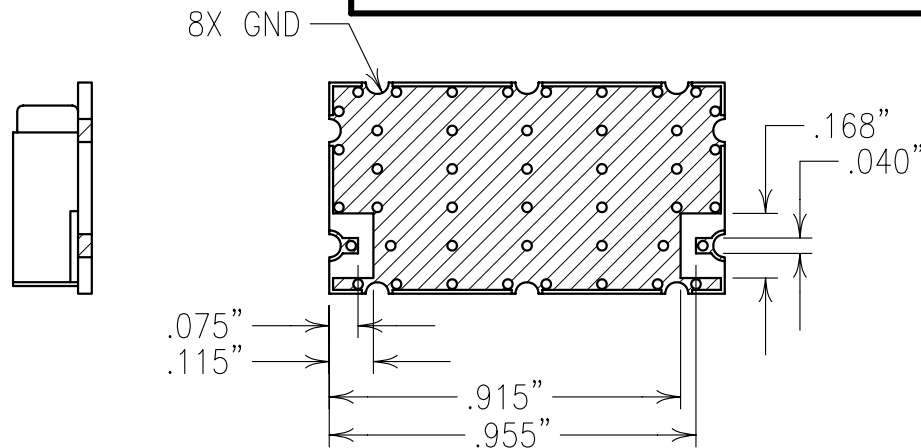
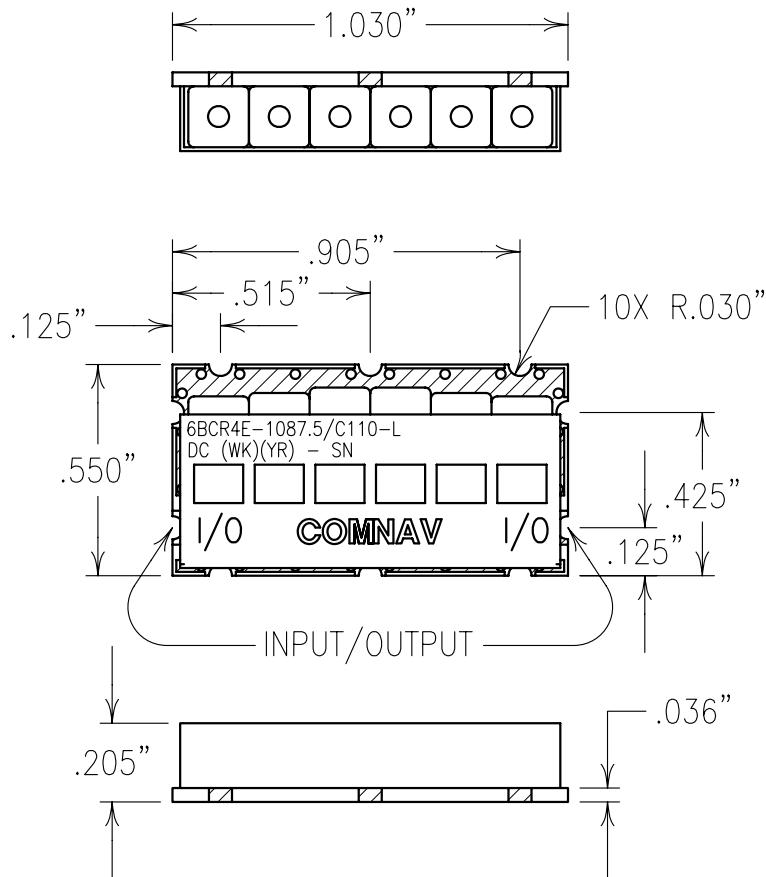


COPY

ELECTRICAL CHARACTERISTICS

CENTER FREQUENCY: 1087.5 MHz
 PASSBAND: 1046-1129 MHz
 PASSBAND INSERTION LOSS: 1.5 dB MAX
 (1.7 dB AT HOT)
 PASSBAND FLATNESS: 0.5 dB MAX
 PASSBAND RETURN LOSS: 1.5:1 MAX
 REJECTION:
 35 dBc MIN @ 1003 AND 1172 MHz
 AVE. INPUT POWER: 23 dBm
 OPERATING TEMP.: -40 TO +85 °C
 IMPEDANCE: 50 OHMS



NOTES:

RECOMMENDED FOOTPRINT: FP0123.
 NO TIN PLATING UNDER SOLDER MASK.
 RECOMMENDED ATTACHMENT METHOD: SILVER EPOXY
 OR REFLOW NOT TO EXCEED AS INDICATED BELOW:
 TEMP.(°C) MAX.TIME(SEC)

215	90
230	60
245	30
260	15

FILTER IS ROHS COMPLIANT.
 FILTER MAY BE ETCHED OR LABELED.

Confidential and Proprietary information of ComNav Engineering Inc. Do Not Duplicate or Use Without Permission. ComNav Engineering Inc. claims Copyright in this document as of the Creation, last revision, and last updated dates. All Rights Reserved.								A
ENGLISH / METRIC ENGLISH	CHECKED BY							
TOLERANCES UNLESS OTHERWISE SPECIFIED	DRAWN BY	A	02NOV07	KJR	DEV.	GEN. REV. PER 2768		
MACHINED SURFACES TO BE 125 OR BETTER REMOVE ALL BURRS	ENGINEER	II	13SEP07	KJR	DEV.	INI. ISS. PER 2734		
ENGLISH (INCHES)	METRIC (MM)	SCALE	APPLIC: CERAMIC COAXIAL FILTER					
.XX ±.02 .XXX ±.010	.X ±.25 .XX ±.13	2:1	DATE	TITLE: 6BCR4E-1087.5/C110-L				
ANGLES ± 0° 30'	05NOV07	FINISH:		BOARD: NI/AU PLATED COPPER JACKET: NI/SILVER RESONATOR: SILVER		DRAWING No.		SHEET OF
						0L0772		1 1