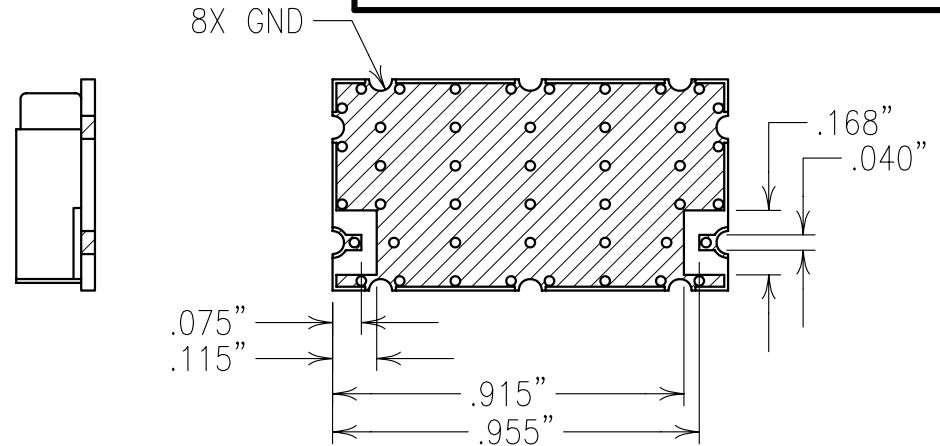
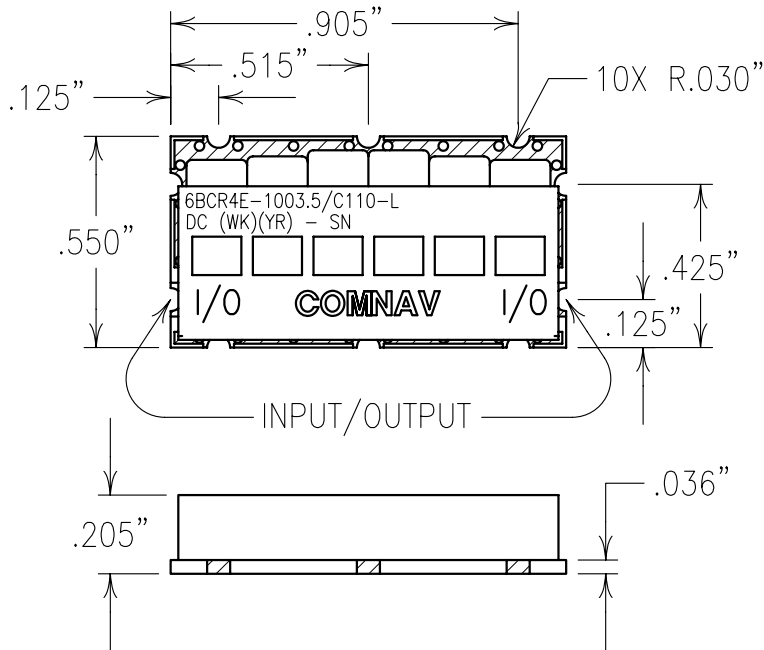


COPY

ELECTRICAL CHARACTERISTICS

CENTER FREQUENCY: 1003.5 MHz
 PASSBAND: 962-1045 MHz
 PASSBAND INSERTION LOSS: 1.5 dB MAX
 (1.7 dB AT HOT)
 PASSBAND FLATNESS: 0.5 dB MAX
 PASSBAND RETURN LOSS: 1.5:1 MAX
 REJECTION:
 35 dBc MIN @ 919 AND 1088 MHz
 AVE. INPUT POWER: 23 dBm
 OPERATING TEMP.: -40 TO +85 °C
 IMPEDANCE: 50 OHMS



NOTES:

RECOMMENDED FOOTPRINT: FP0123.
 NO TIN PLATING UNDER SOLDER MASK.
 RECOMMENDED ATTACHMENT METHOD: SILVER EPOXY
 OR REFLOW NOT TO EXCEED AS INDICATED BELOW:
 TEMP.(°C) MAX.TIME(SEC)

215	90
230	60
245	30
260	15

FILTER IS ROHS COMPLIANT.
 FILTER MAY BE ETCHED OR LABELED.

Confidential and Proprietary information of ComNav Engineering Inc. Do Not Duplicate or Use Without Permission. ComNav Engineering Inc. claims Copyright in this document as of the Creation, last revision, and last updated dates. All Rights Reserved.

ENGLISH / METRIC ENGLISH	CHECKED BY					
TOLERANCES UNLESS OTHERWISE SPECIFIED	DRAWN BY	A	02NOV07	KJR	DEV.	GEN. REV. PER 2768
MACHINED SURFACES TO BE 125 OR BETTER REMOVE ALL BURRS	ENGINEER	II	13SEP07	KJR	DEV.	INI. ISS. PER 2734
ENGLISH (INCHES)	METRIC (MM)	SCALE	APPLIC: CERAMIC COAXIAL FILTER			
.XX ±.02 .XXX ±.010	.X ±.25 .XX ±.13	2:1	TITLE: 6BCR4E-1003.5/C110-L			
ANGLES ± 0° 30'	DATE	05NOV07	DRAWING No. 0L0771			
COMNAV ENGINEERING INC.	FINISH:	BOARD: NI/AU PLATED COPPER JACKET: NI/SILVER RESONATOR: SILVER	SHEET OF 1 1			