

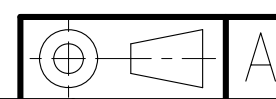
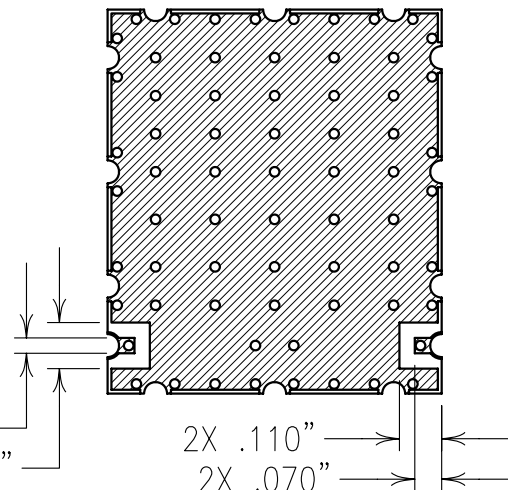
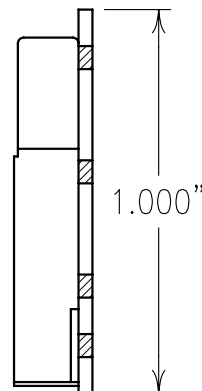
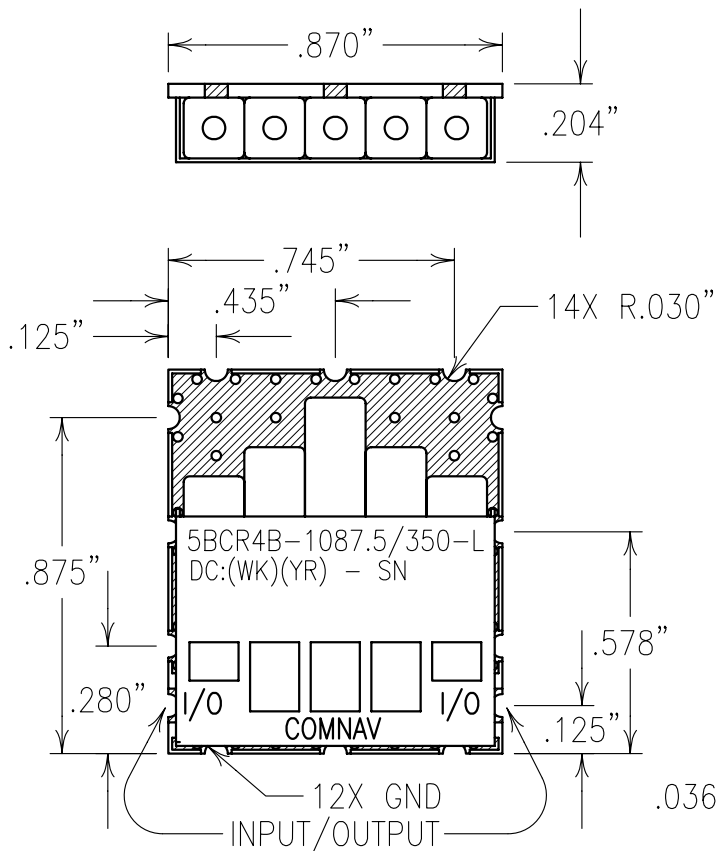
2

1

COPY

ELECTRICAL CHARACTERISTICS

CENTER FREQUENCY: 1087.5 MHz
 PASSBAND: 962-1213 MHz
 PASSBAND INSERTION LOSS: 0.75 dB MAX
 PASSBAND FLATNESS: 0.5 dB MAX
 PASSBAND RETURN LOSS: 1.5:1 MAX
 REJECTION:
 38 dBc MIN @ 607 AND 1568 MHz
 30 dBc MIN @ 698 AND 1477 MHz
 AVE. INPUT POWER: 25 dBm
 PEAK INPUT POWER: 35 dBm
 OPERATING TEMP.: -40 TO +85 °C
 IMPEDANCE: 50 OHMS



Confidential and Proprietary information of ComNav Engineering Inc. Do Not Duplicate or Use Without Permission. ComNav Engineering Inc. claims Copyright in this document as of the Creation, last revision, and last updated dates. All Rights Reserved.

NOTES:

RECOMMENDED FOOTPRINT: FP0124.

RECOMMENDED ATTACHMENT METHOD:

SILVER EPOXY OR REFLOW NOT TO EXCEED:

TEMP. (°C)	MAX. TIME (SECONDS)
215	90
230	60
245	30
260	15

FILTER IS ROHS COMPLIANT.

FILTER MAY BE LABELED OR ETCHED.

ENGLISH / METRIC ENGLISH		CHECKED BY					
TOLERANCES UNLESS OTHERWISE SPECIFIED MACHINED SURFACES TO BE 125/ OR BETTER REMOVE ALL BURRS		DRAWN BY PBF					
ENGLISH (INCHES) .XX ±.02 .XXX ±.01		METRIC (MM) .X ±.25 .XX ±.13		ENGINEER KJR	REV II	DATE 13SEP07	BY KJR
ANGLES ± 0° 30'		SCALE 2:1		DEV.	INI.	ISS.	PER 2734
DATE 17SEP07		APPLIC: CERAMIC COAXIAL FILTER		REMARKS			
FINISH: BOARD: NI/AU JACKET: NI/SILVER RESONATOR: SILVER		DRAWING No. OL0770		TITLE: 5BCR4B-1087.5/350-L			
COMNAV ENGINEERING INC.		SHEET/OF 1/1					