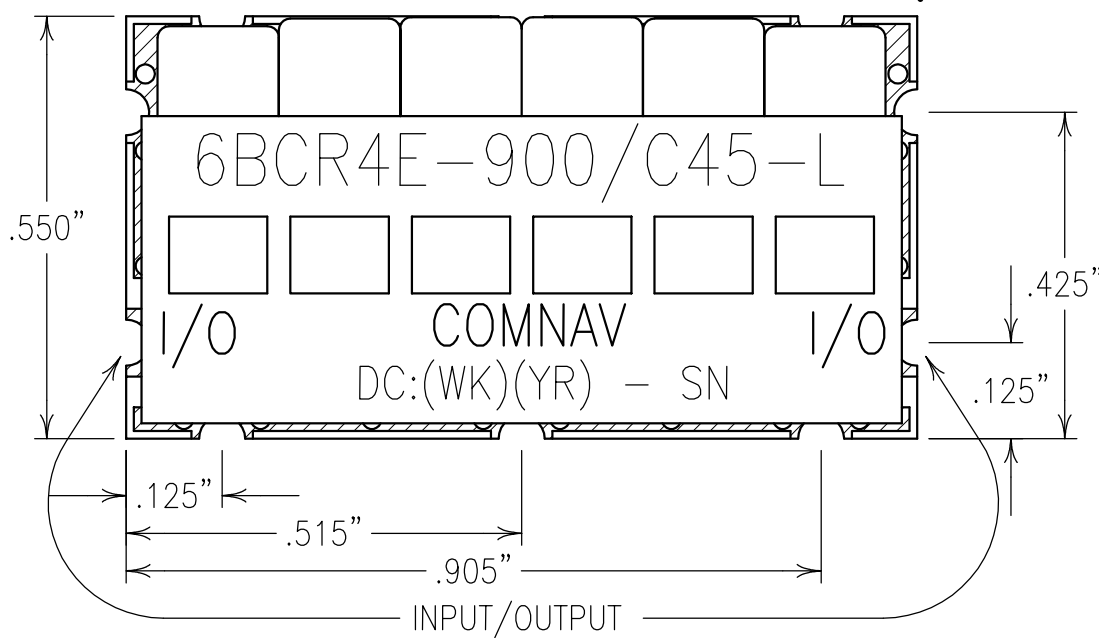


2

1



ELECTRICAL CHARACTERISTICS

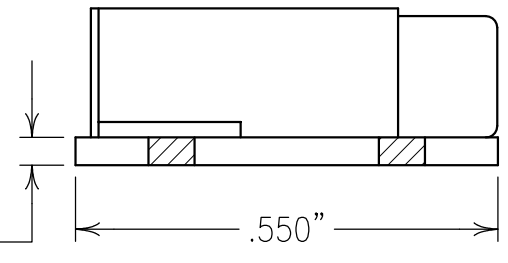
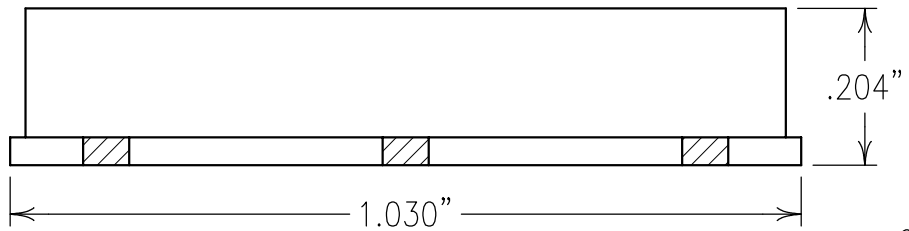
	FREQUENCY	ATTENUATION (dB)
CENTER FREQUENCY:	900 MHz	3 dB MAX
PASSBAND FLATNESS:	885-915 MHz	1 dB MAX
LOWER STOPBAND:	865 MHz	45 dB
UPPER STOPBAND:	935 MHz	45 dB
RETURN LOSS:	885-915 MHz	12 dB MIN

NOTES:

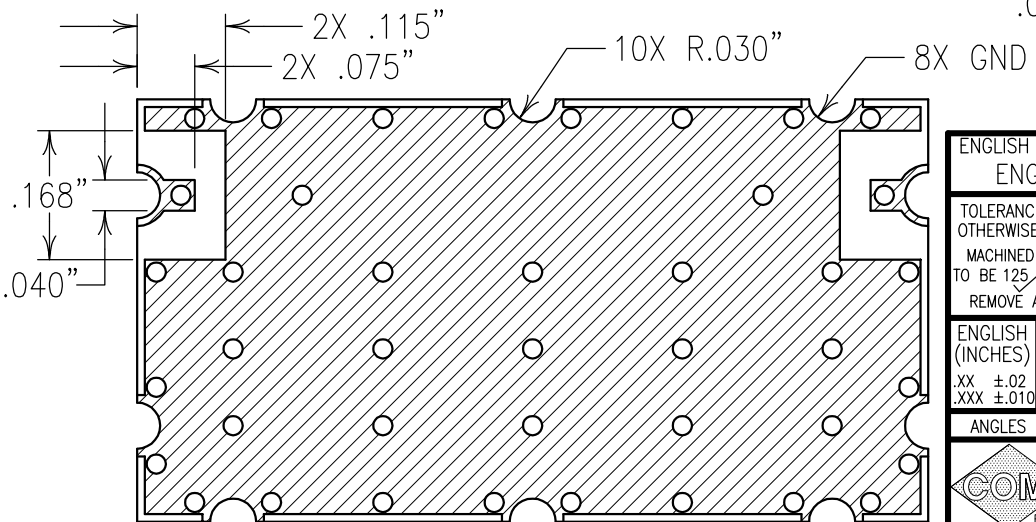
RECOMMENDED FOOTPRINT: FP0126.

RECOMMENDED ATTACHMENT METHOD: SILVER EPOXY OR REFLOW NOT TO EXCEED AS INDICATED BELOW:

TEMP.(°C)	MAX. TIME(SEC)	
215	90	FILTER MAY BE LABELED OR ETCHED.
230	60	FILTER IS ROHS COMPLIANT.
245	30	
260	15	



COPY



Confidential and Proprietary information of ComNav Engineering Inc. Do Not Duplicate or Use Without Permission. ComNav Engineering Inc. claims Copyright in this document as of the Creation, last revision, and last updated dates. All Rights Reserved.

ENGLISH / METRIC ENGLISH	CHECKED BY					
TOLERANCES UNLESS OTHERWISE SPECIFIED	DRAWN BY	A	20NOV07	KJR	DEV.	GEN. REV. PER 2782
MACHINED SURFACES TO BE 125 OR BETTER REMOVE ALL BURRS	ENGINEER	II	07SEP07	KJR	DEV.	INI. ISS. PER 2731
ENGLISH (INCHES)	METRIC (MM)	SCALE	APPLIC:	CERAMIC COAXIAL FILTER		
.XX ±.02	.X ±.25	4:1	DATE	TITLE: 6BCR4E-900/C45-L		
.XXX ±.010	.XX ±.13		20NOV07			
ANGLES ± 0° 30'	FINISH:	BOARD: NI/GOLD JACKET: NI/SILVER RESONATOR: SILVER			DRAWING No.	SHEET OF 1 1
						010768