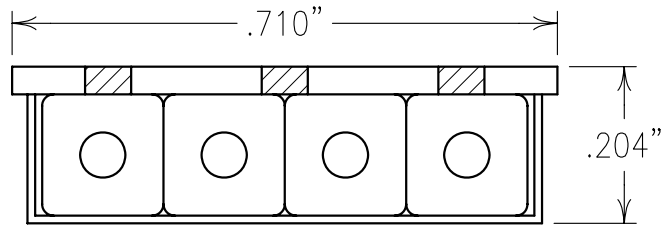


2

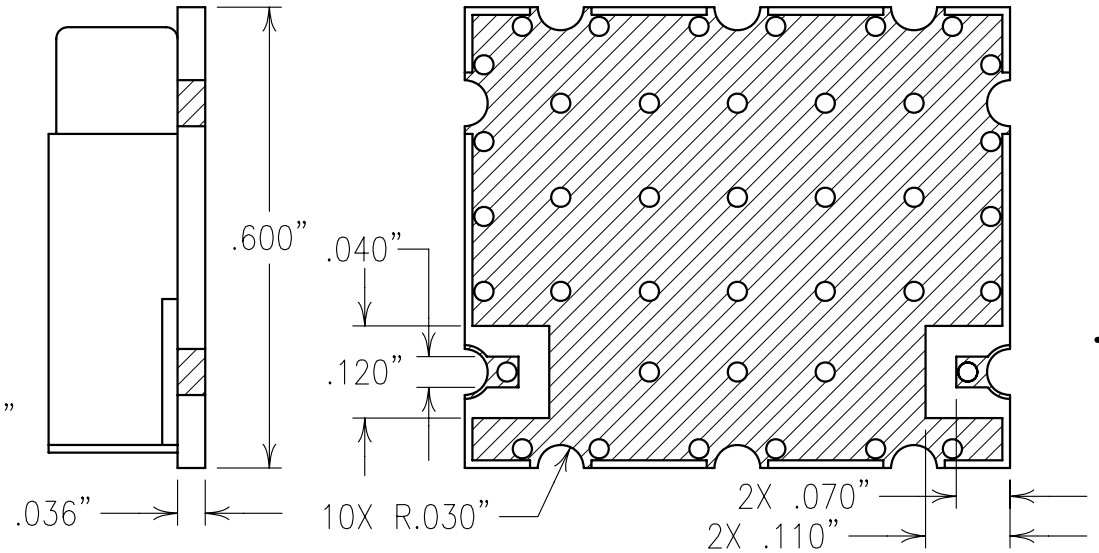
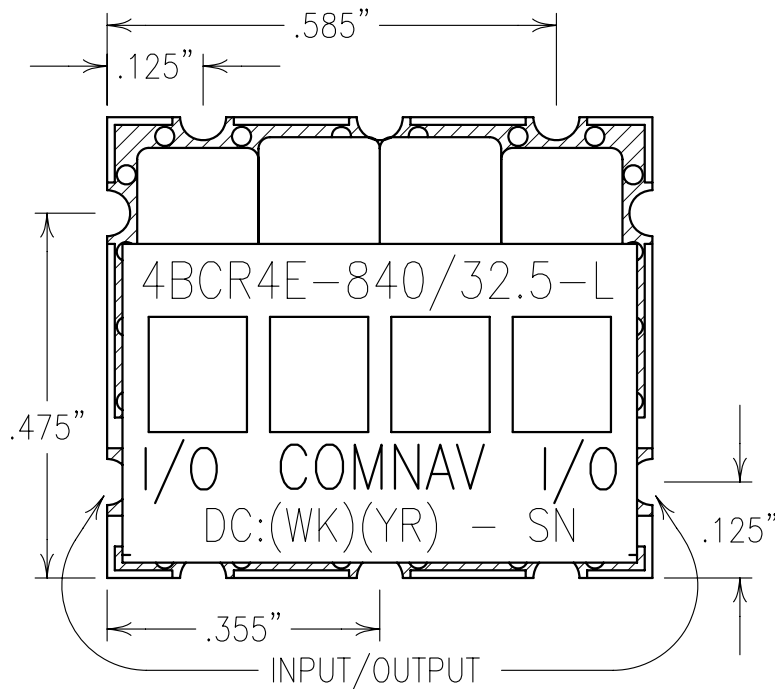
1



COPY

ELECTRICAL CHARACTERISTICS

	FREQUENCY	ATTENUATION (dB)
CENTER FREQUENCY:	840 MHz	2.5 dB MAX
PASSBAND FLATNESS:	830-850 MHz	1 dB MAX
LOWER STOPBAND:	780 MHz	35 dB
UPPER STOPBAND:	900 MHz	45 dB
RETURN LOSS:	830-850 MHz	12 dB MIN



Customer Validation: _____

NOTES:

RECOMMENDED FOOTPRINT: FP0111.

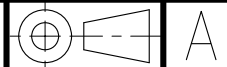
RECOMMENDED ATTACHMENT METHOD: SILVER EPOXY OR REFLOW NOT TO EXCEED AS INDICATED BELOW:

TEMP.(°C) MAX. TIME(SEC)

215	90
230	60
245	30
260	15

FILTER MAY BE LABELED OR ETCHED.
FILTER IS ROHS COMPLIANT.

Confidential and Proprietary information of ComNav Engineering Inc. Do Not Duplicate or Use Without Permission. ComNav Engineering Inc. claims Copyright in this document as of the Creation, last revision, and last updated dates. All Rights Reserved.



ENGLISH / METRIC ENGLISH	CHECKED BY				
TOLERANCES UNLESS OTHERWISE SPECIFIED	DRAWN BY PBF				
MACHINED SURFACES TO BE 125 / OR BETTER REMOVE ALL BURRS	ENGINEER KJR	II	07SEP07	KJR	DEV. INI. ISS. PER 2731
ENGLISH (INCHES)	METRIC (MM)	SCALE 4:1	APPLIC: CERAMIC COAXIAL FILTER		
.XX ±.02 .XXX ±.010	.X ±.25 .XX ±.13	DATE 20SEP07	TITLE: 4BCR4E-840/32.5-L		
ANGLES ± 0° 30'	FINISH:	BOARD: NI/GOLD JACKET: NI/SILVER RESONATOR: SILVER	DRAWING No. OL0767	SHEET OF 1 1	