

2

1

### ELECTRICAL CHARACTERISTICS

	FREQUENCY	ATTENUATION (dB)
CENTER FREQUENCY:	1950 MHz	2 dB MAX
PASSBAND FLATNESS:	1912.2–1987.8 MHz	1 dB MAX
LOWER STOPBAND:	1850 MHz	45 dB
UPPER STOPBAND:	2050 MHz	45 dB
RETURN LOSS:	1912.2–1987.8 MHz	10 dB MIN

#### NOTES:

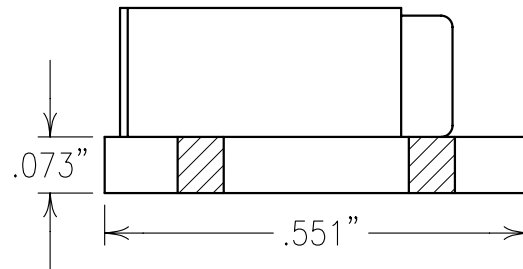
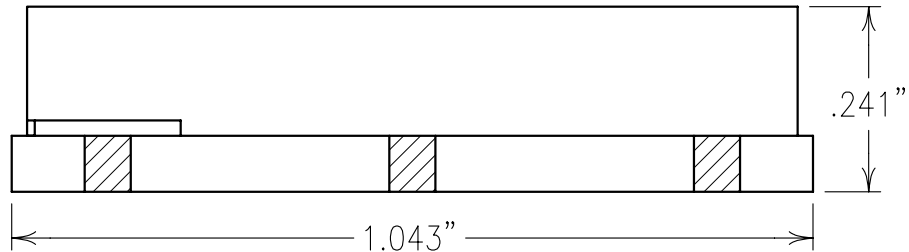
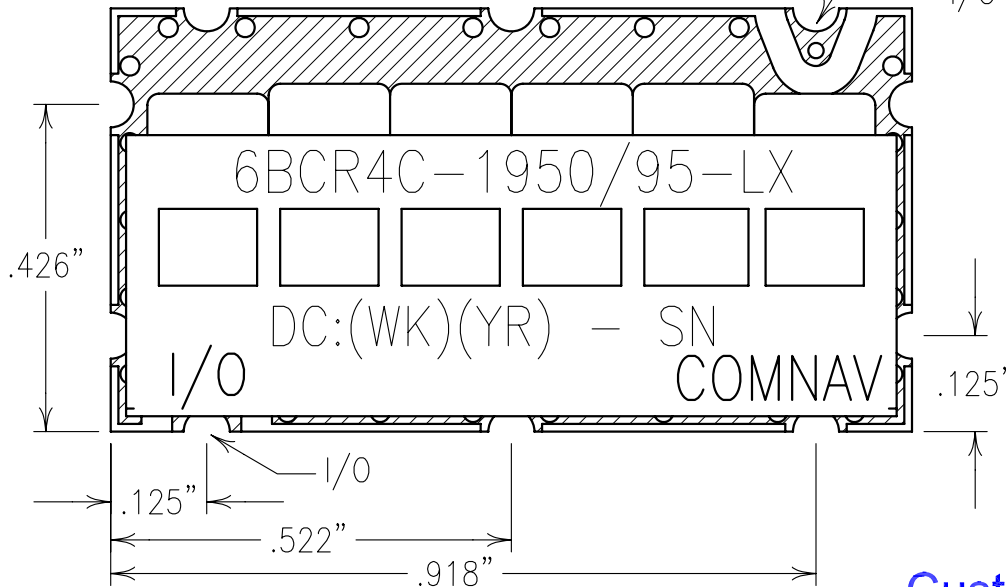
RECOMMENDED FOOTPRINT: FP0125.

RECOMMENDED ATTACHMENT METHOD: SILVER EPOXY OR REFLOW NOT TO EXCEED AS INDICATED BELOW:

TEMP.(°C) MAX. TIME(SEC)

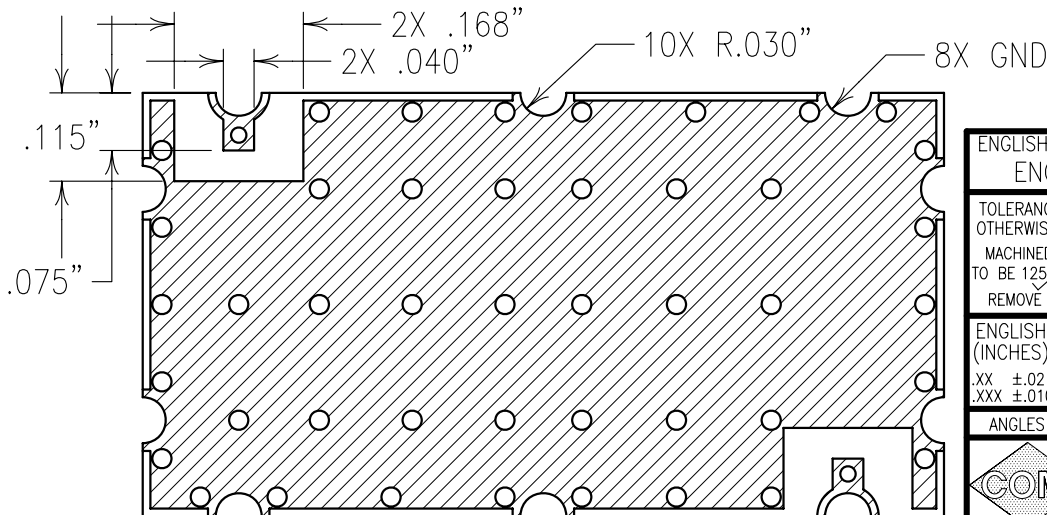
215	90
230	60
245	30
260	15

FILTER MAY BE LABELED OR ETCHED.  
FILTER IS ROHS COMPLIANT.



Customer Validation: \_\_\_\_\_

**COPY**



Confidential and Proprietary information of ComNav Engineering Inc. Do Not Duplicate or Use Without Permission. ComNav Engineering Inc. claims Copyright in this document as of the Creation, last revision, and last updated dates. All Rights Reserved.

ENGLISH / METRIC ENGLISH	CHECKED BY					
TOLERANCES UNLESS OTHERWISE SPECIFIED	DRAWN BY					
MACHINED SURFACES TO BE 125 / OR BETTER	PBF					
REMOVE ALL BURRS	ENGINEER	II	07SEP07	KJR	DEV. INI. ISS. PER 2731	
	KJR	REV	DATE	BY	DCN No. REMARKS	
ENGLISH (INCHES)	METRIC (MM)	SCALE	APPLIC: CERAMIC COAXIAL FILTER			
.XX ±.02	.X ±.25	4:1	TITLE: 6BCR4C-1950/95-LX			
.XXX ±.010	.XX ±.13	DATE	20SEP07			
ANGLES ± 0° 30'						

**COMNAV** ENGINEERING INC.

FINISH: BOARD: NI/GOLD  
JACKET: NI/SILVER  
RESONATOR: SILVER

DRAWING No. 0L0766

SHEET OF 1 1