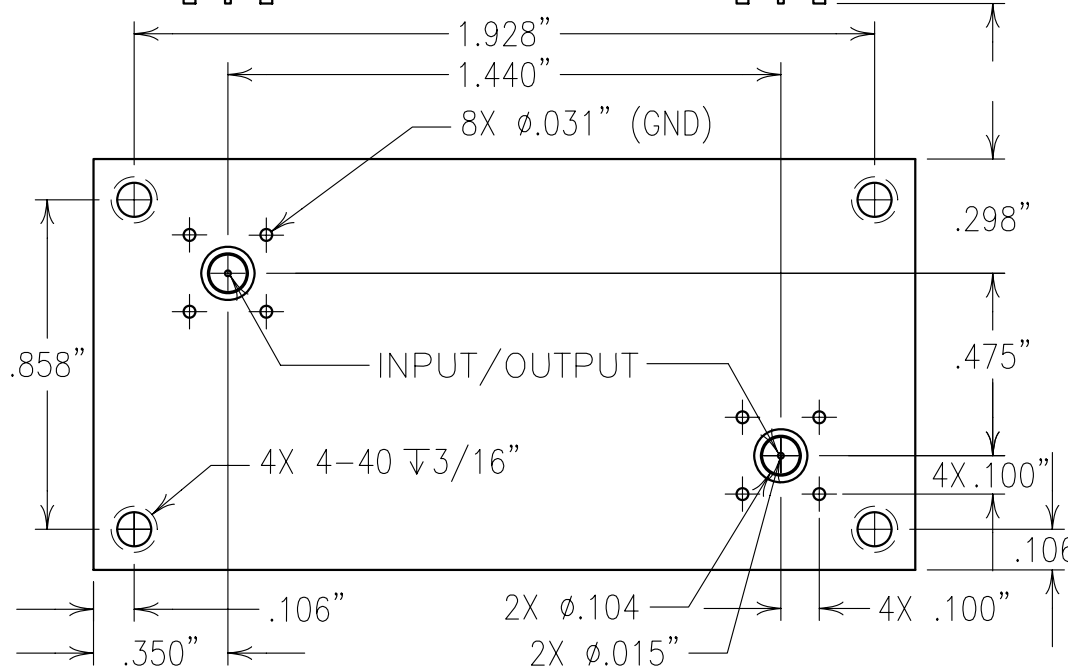
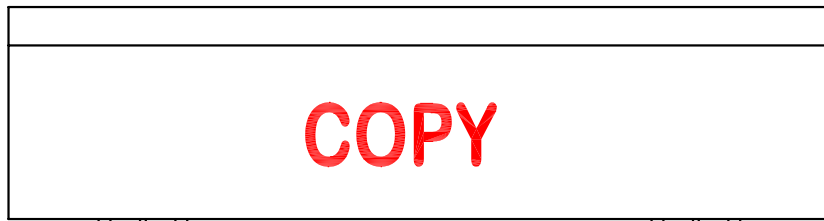


ELECTRICAL CHARACTERISTICS	
CENTER FREQUENCY:	1775 MHz
PASSBAND:	1700-1850 MHz
PASSBAND LOSS:	1 dB MAX
VSWR(1725-1825 MHz):	1.5:1
REJECTION:	
1223-1227 MHz:	43 dBa
1573-1577 MHz:	25 dBa
2200-2500 MHz:	43 dBa
3400-7400 MHz:	43 dBa MIN
IMPEDANCE:	50 OHMS
OPERATING TEMP.:	-20° to +80° C
STORAGE TEMP.:	-20° to +85° C
HUMIDITY:	5 TO +95%
OPERATING ALTITUDE:	70,000 FEET*
POWER HANDLING:	20 WATTS*
*DESIGN TO MEET	



Confidential and Proprietary information of ComNav Engineering Inc. Do Not Duplicate or Use Without Permission. ComNav Engineering Inc. claims Copyright in this document as of the Creation, last revision, and last updated dates. All Rights Reserved.

NOTES:

ENGLISH / METRIC ENGLISH	CHECKED BY				
TOLERANCES UNLESS OTHERWISE SPECIFIED	DRAWN BY PBF				
MACHINED SURFACES TO BE 125 OR BETTER REMOVE ALL BURRS	ENGINEER KJR	II	05SEP07	KJR	DEV. INI. ISS. PER 2728
		REV	DATE	BY	DCN No. REMARKS

ENGLISH (INCHES) .XX ±.01 .XXX ±.005	METRIC (MM) .X ±.2 .XX ±.13	SCALE 2:1	APPLIC: COAXIAL FILTER	SHEET OF 1 1
ANGLES ± 0° 30'	DATE 25SEP07	TITLE: 5BCR8BL-1775/240-HD		

COMNAV ENGINEERING INC.	MATERIAL: ALUMINUM FINISH: SILVER MATTE	DRAWING No. OL0763
----------------------------	--	-----------------------