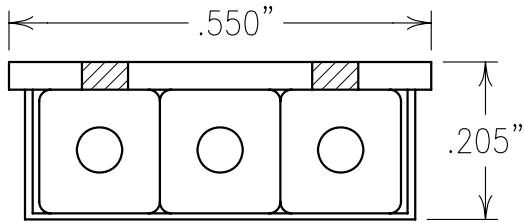
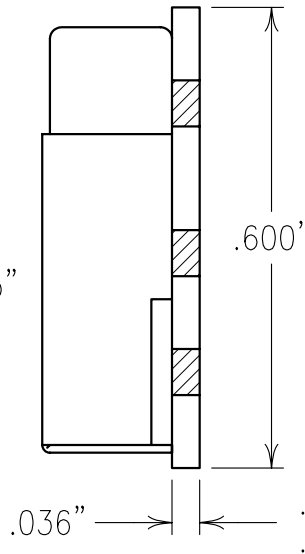
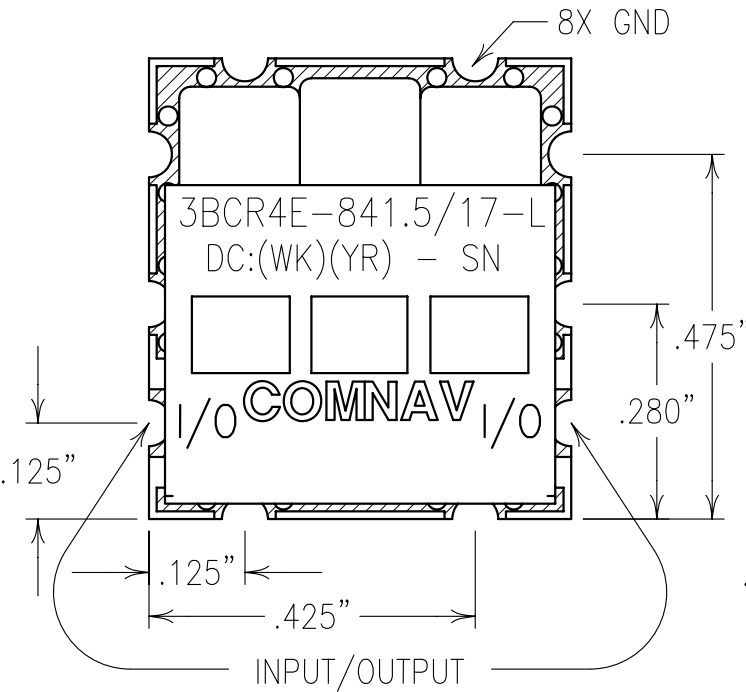


2

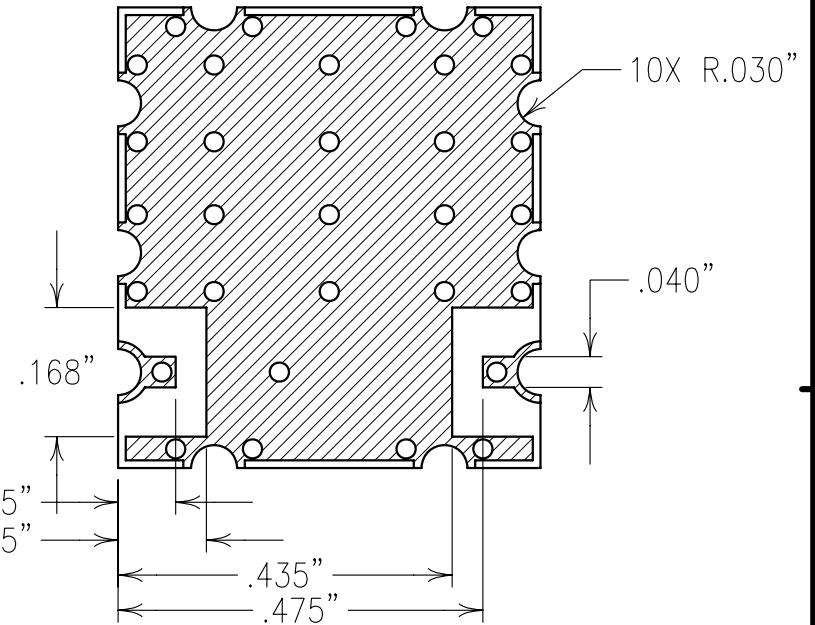
1



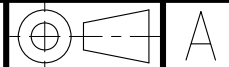
COPY



ELECTRICAL CHARACTERISTICS	
CENTER FREQUENCY:	841.5 MHz NOM
1 dB BANDWIDTH:	5 MHz MIN
FLATNESS OVER 1 dB BANDWIDTH:	0.2 dB/MHz
GROUP DELAY VARIATION OVER 1 dB BANDWIDTH:	0.5 nSEC/MHz
INSERTION LOSS:	3 dB MAX
RETURN LOSS OVER 1 dB BANDWIDTH:	14 dB MIN
REJECTION:	30 dBc @ 800 MHz 45 dBc @ 1000 MHz
OPERATING TEMPERATURE:	-10° TO 60° C



Confidential and Proprietary information of ComNav Engineering Inc. Do Not Duplicate or Use Without Permission. ComNav Engineering Inc. claims Copyright in this document as of the Creation, last revision, and last updated dates. All Rights Reserved.



NOTES:

RECOMMENDED ATTACHMENT METHOD: SILVER EPOXY OR REFLOW NOT TO EXCEED AS INDICATED BELOW:
TEMP.(°C) MAX. TIME(SEC)

215	90
230	60
245	30
260	15

FILTER MAY BE LABELED OR ETCHED.
FILTER IS ROHS COMPLIANT.

ENGLISH / METRIC ENGLISH	CHECKED BY						
TOLERANCES UNLESS OTHERWISE SPECIFIED	DRAWN BY						
MACHINED SURFACES TO BE 125 / OR BETTER	PBF	II	13AUG07	KJR	DEV.	INI.	ISS. PER 2716
REMOVE ALL BURRS	ENGINEER	REV	DATE	BY	DCN No.	REMARKS	
ENGLISH (INCHES)	METRIC (MM)	SCALE	APPLIC: CERAMIC COAXIAL FILTER				
.XX ±.02	.X ±.25	DATE	TITLE: 3BCR4E-841.5/17-L				
.XXX ±.010	.XX ±.13	15AUG07					
ANGLES ± 0° 30'	FINISH:		DRAWING No.				SHEET OF
	BOARD: NI/GOLD JACKET: NI/SILVER RESONATOR: SILVER		0L0759				1 1

