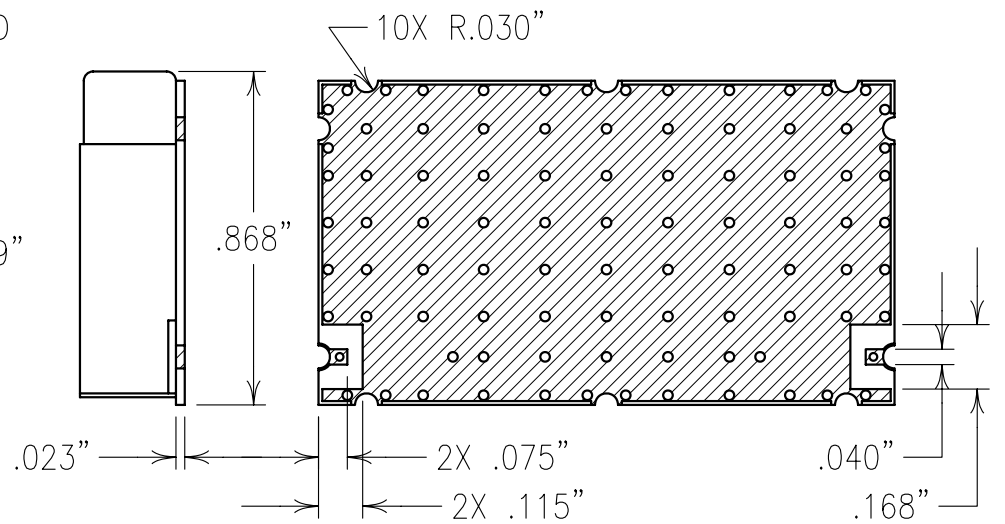
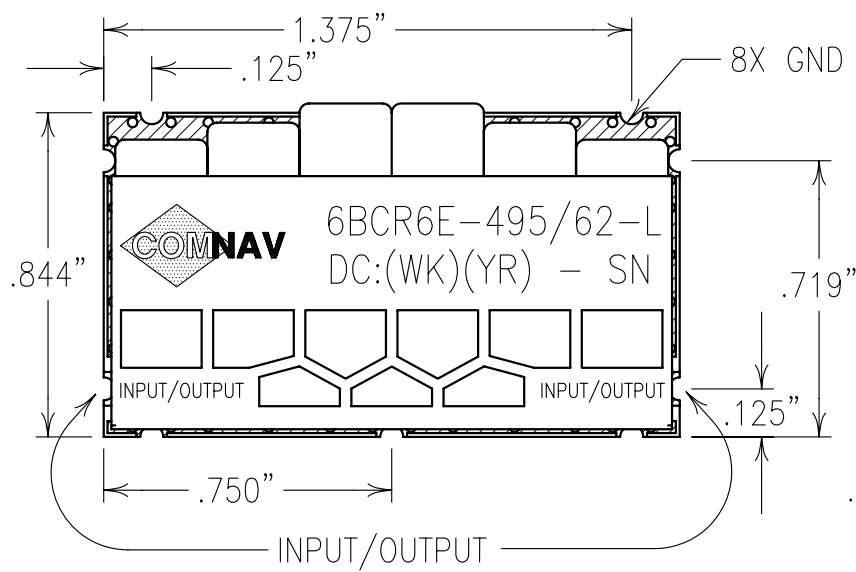


COPY

ELECTRICAL CHARACTERISTICS	
CENTER FREQUENCY:	495 MHz NOM
PASSBAND:	470-520 MHz
PASSBAND LOSS:	3.0 dB MAX
PASSBAND FLATNESS:	2.0 dB MAX
RETURN LOSS:	1.7:1 TYP.
REJECTION:	
	10 dBc MIN @ 462 AND 528 MHz
	30 dBc MIN @ 450 AND 540 MHz
PASSBAND GROUP DELAY:	25.0 NSEC MAX
POWER HANDLING:	2 WATTS

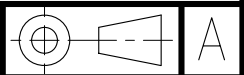


NOTES:
COMNAV PART NUMBER AND DATE CODE ARE ETCHED ON THE JACKET.

RECOMMENDED ATTACHMENT METHOD: SILVER EPOXY OR REFLOW NOT TO EXCEED AS INDICATED BELOW:

TEMP.(°C)	MAX.TIME(SEC)
215	90
230	60
245	30
260	15

Confidential and Proprietary information of ComNav Engineering Inc. Do Not Duplicate or Use Without Permission. ComNav Engineering Inc. claims Copyright in this document as of the Creation, last revision, and last updated dates. All Rights Reserved.



ENGLISH / METRIC ENGLISH	CHECKED BY				
TOLERANCES UNLESS OTHERWISE SPECIFIED MACHINED SURFACES TO BE 125 OR BETTER REMOVE ALL BURRS	DRAWN BY PBF				
ENGLISH (INCHES) .XX ±.02 .XXX ±.01	ENGINEER KJR	REV II	DATE 26JUL07	BY KJR	DCN No. DEV. INI. ISS. PER 2710
ANGLES ± 0° 30'	SCALE 2:1	APPLIC: CERAMIC COAXIAL FILTER			
	DATE 31JUL07	TITLE: 6BCR6E-495/62-L			
	FINISH: BOARD: NI/GOLD JACKET: NI/SILVER RESONATOR: SILVER	DRAWING No. 0L0756		SHEET/OF 1/1	