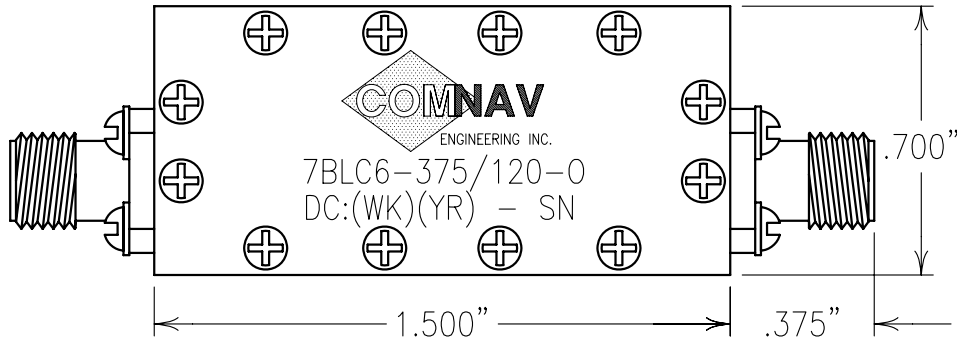


2

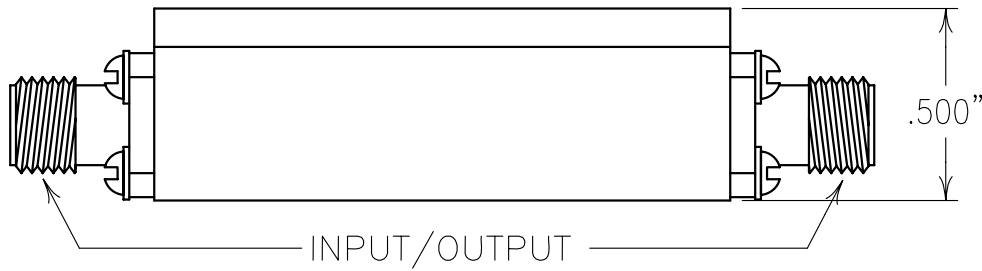
1



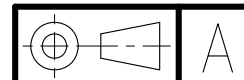
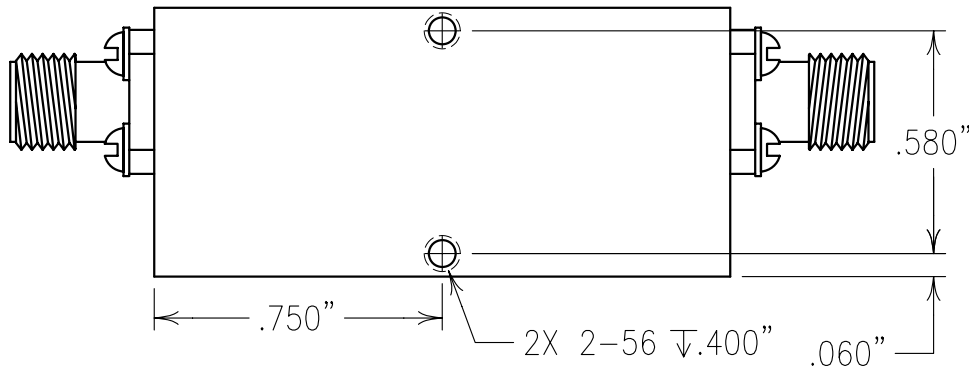
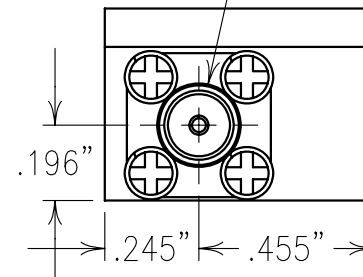
COPY

ELECTRICAL CHARACTERISTICS

PASSBAND: 325-425 MHz
 PASSBAND FLATNESS: 0.8 dB
 GROUP DELAY VARIATION:
 5 NS MAX @ 325-425 MHz
 REJECTION:
 60 dBc MIN @ 0-175 MHz
 60 dBc MIN @ 575-1500 MHz



SMA FEMALE



Confidential and Proprietary information of ComNav Engineering Inc. Do Not Duplicate or Use Without Permission. ComNav Engineering Inc. claims Copyright in this document as of the Creation, last revision, and last updated dates. All Rights Reserved.

ENGLISH / METRIC CHECKED BY ENGLISH							
TOLERANCES UNLESS OTHERWISE SPECIFIED MACHINED SURFACES TO BE 125 OR BETTER REMOVE ALL BURRS		DRAWN BY PBF					
		ENGINEER KJR		II 02JUL07 KJR DEV.		INI. ISS. PER 2695	
		SCALE 2:1		APPLIC: LC BANDPASS FILTER			
ENGLISH (INCHES) .XX ±.01 .XXX ±.005		METRIC (MM) .X ±.2 .XX ±.13		DATE 18JUL07		TITLE: 7BLC6-375/120-0	
ANGLES ± 0° 30'		MATERIAL: ALUMINUM 6061-T6		DRAWING No. 0L0753		SHEET OF 1 1	
COMNAV ENGINEERING INC.		FINISH: SILVER MATTE OVER COPPER WITH TARNA-BAN MILSPEC QQS-365					

NOTES: