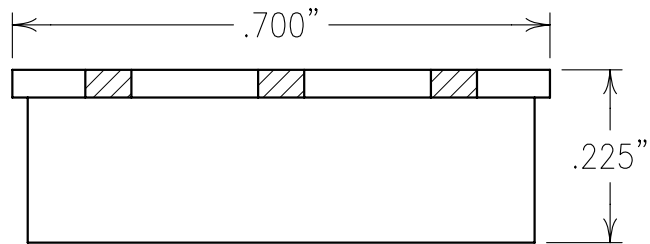


2

1



COPY

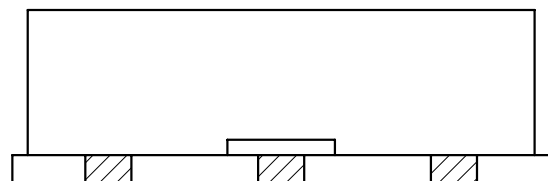
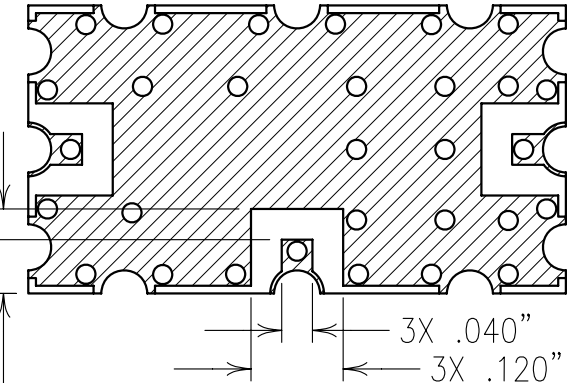
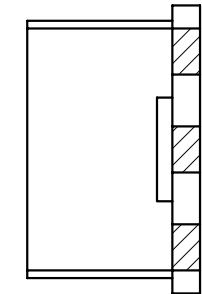
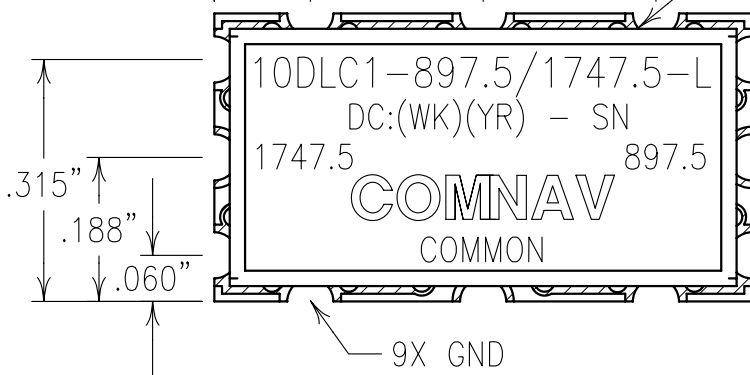
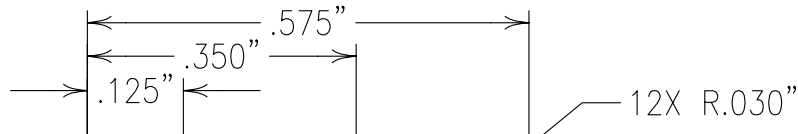
ELECTRICAL CHARACTERISTICS

CHANNEL 1

PASSBAND: 880-915 MHz
 PASSBAND VSWR: 1.5:1 MAX
 PASSBAND LOSS: .50 dB MAX
 REJECTION:
 35 dB: 1600-1785 MHz

CHANNEL 2

PASSBAND: 1710-1785 MHz
 PASSBAND VSWR: 1.5:1 MAX
 PASSBAND LOSS: .50 dB MAX
 REJECTION:
 35 dB: 880-915 MHz
 POWER: 8 WATTS AVE
 64 WATTS PEAK



NOTES:

RECOMMENDED ATTACHMENT METHOD: SILVER EPOXY
 OR REFLOW NOT TO EXCEED AS INDICATED BELOW:
 TEMP.(°C) MAX. TIME(SEC)

215	90
230	60
245	30
260	15

FILTER MAY BE LABELED OR ETCHED.
 FILTER IS ROHS COMPLIANT.

Confidential and Proprietary information of ComNav Engineering Inc. Do Not Duplicate or Use Without Permission. ComNav Engineering Inc. claims Copyright in this document as of the Creation, last revision, and last updated dates. All Rights Reserved.

ENGLISH / METRIC ENGLISH	CHECKED BY					
TOLERANCES UNLESS OTHERWISE SPECIFIED	DRAWN BY					
MACHINED SURFACES TO BE 125 / OR BETTER	ENGINEER	II	19JUN07	KJR	DEV.	INI. ISS. PER 2686
REMOVE ALL BURRS	KJR	REV	DATE	BY	DCN No.	REMARKS

ENGLISH (INCHES)	METRIC (MM)	SCALE	APPLIC:
.XX ±.02	.X ±.25	4:1	CHIP AND WIRE FILTER, DIPLEXER
.XXX ±.010	.XX ±.13	DATE	TITLE:
ANGLES ± 0° 30'		02JUL07	10DLC1-897.5/1747.5-L

COMNAV ENGINEERING INC.	FINISH:	BOARD: NI/GOLD	DRAWING No.	SHEET OF 1 1
		JACKET: NI/SILVER	OL0747	