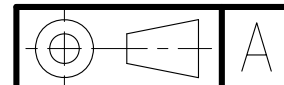
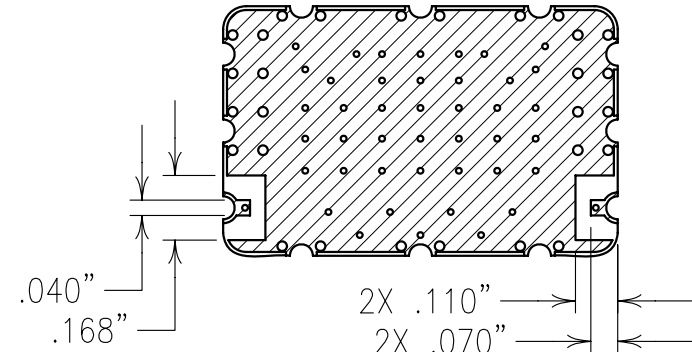
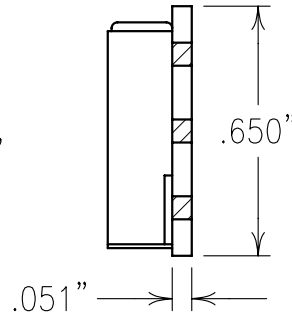
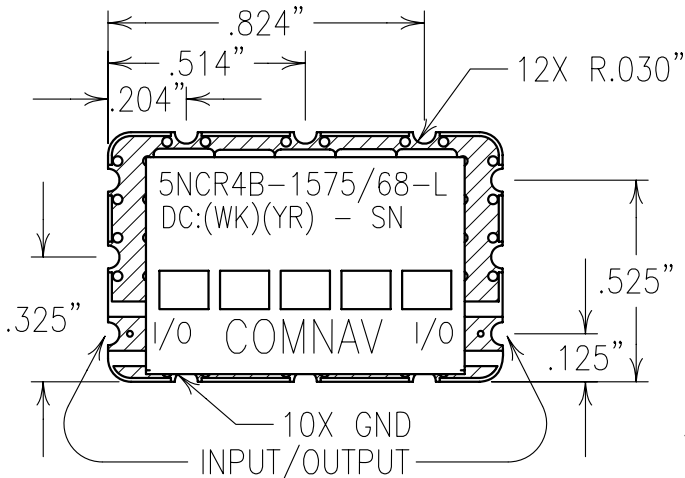


COPY

ELECTRICAL CHARACTERISTICS	
PASSBAND1:	1300-1420 MHz
PB1 RETURN LOSS:	1.7:1 TYP.
PASSBAND2:	1620-1720 MHz
PB2 RETURN LOSS:	1.5:1
REJECTION:	
	25 dBc MIN @ 1570-1574 MHz
	50 dBc MIN @ 1574-1576 MHz
	20 dBc MIN @ 1576-1580 MHz
INSERTION LOSS:	
	1.1 dBc @ 1300-1450 MHz
	1.1 dBc @ 1620-1720 MHz

B



CUSTOMER VALIDATION:

Confidential and Proprietary information of ComNav Engineering Inc. Do Not Duplicate or Use Without Permission. ComNav Engineering Inc. claims Copyright in this document as of the Creation, last revision, and last updated dates. All Rights Reserved.

NOTES:	TEMP.(°C)	MAX. TIME (SECONDS)
RECOMMENDED ATTACHMENT METHOD:		
SILVER EPOXY OR REFLOW NOT TO EXCEED:	215	90
	230	60
FILTER IS ROHS COMPLIANT.	245	30
FILTER MAY BE LABELED OR ETCHED.	260	15

ENGLISH / METRIC ENGLISH	CHECKED BY				
TOLERANCES UNLESS OTHERWISE SPECIFIED MACHINED SURFACES TO BE 125/ OR BETTER REMOVE ALL BURRS	DRAWN BY PBF	II	29MAY07	KJR	DEV. INI. ISS. PER 2678
ENGLISH (INCHES) .XX ±.02 .XXX ±.01	ENGINEER KJR	REV	DATE	BY	DCN No. REMARKS
METRIC (MM) .X ±.25 .XX ±.13	SCALE 2:1	APPLIC: CERAMIC COAXIAL FILTER			
ANGLES ± 0° 30'	DATE 07JUN07	TITLE: 5NCR4B-1575/68-L			
	FINISH: BOARD: NI/AU JACKET: NI/SILVER RESONATOR: SILVER	DRAWING No. OL0742		SHEET/OF 1 / 1	

A