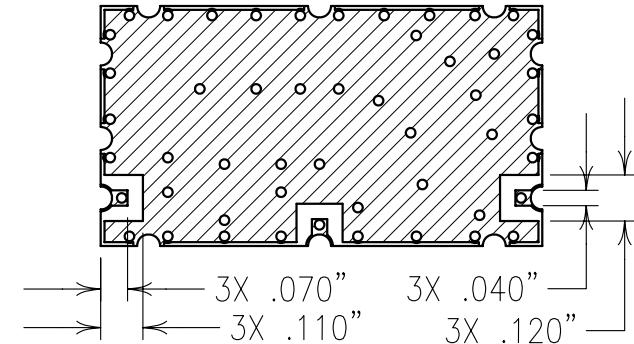
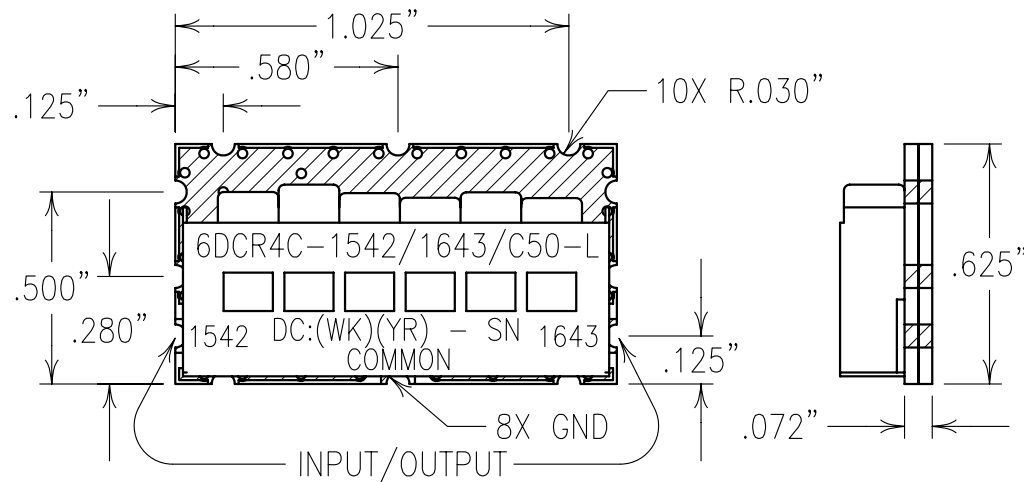
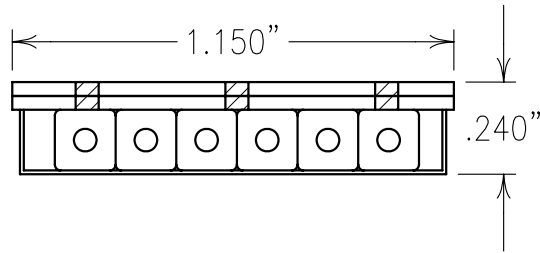


2

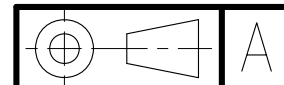
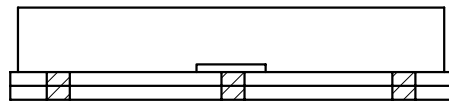
1

ELECTRICAL CHARACTERISTICS

RX:	1525.0–1559.0 MHz
TX:	1626.5–1660.5 MHz
PASSBAND INSERTION LOSS:	3.0 dB MAX/2.6 dB GOAL
PASSBAND FLATNESS:	1.8 dB MAX
RETURN LOSS:	1.5:1 MAX
REJECTION:	
RX:	60 dBc @ 1559±380 MHz
TX:	60 dBc @ 1660±380 MHz
ISOLATION:	50 dB MIN AT TX BAND IN THE RX BAND



COPY



Confidential and Proprietary information of ComNav Engineering Inc. Do Not Duplicate or Use Without Permission. ComNav Engineering Inc. claims Copyright in this document as of the Creation, last revision, and last updated dates. All Rights Reserved.

NOTES: RECOMMENDED ATTACHMENT METHOD: SILVER EPOXY OR REFLOW NOT TO EXCEED:	TEMP.(°C)	MAX. TIME (SECONDS)
	215	90
	230	60
	245	30
	260	15

ENGLISH / METRIC ENGLISH	CHECKED BY				
TOLERANCES UNLESS OTHERWISE SPECIFIED TO BE 125/ OR BETTER REMOVE ALL BURRS	DRAWN BY PBF	II	21MAY07	KJR	DEV. INI. ISS. PER 2673
	ENGINEER KJR	REV	DATE	BY	DCN No. REMARKS
ENGLISH (INCHES) .XX ±.02 .XXX ±.01	METRIC (MM) .X ±.25 .XX ±.13	SCALE 2:1	APPLIC: CERAMIC COAXIAL FILTER		
ANGLES ± 0° 30'	DATE 29MAY07	TITLE: 6DCR4C-1542/1643/C50-L			
	FINISH: BOARD: NI/AU JACKET: NI/SILVER RESONATOR: SILVER	DRAWING No. 0L0738	SHEET/OF 1/1		