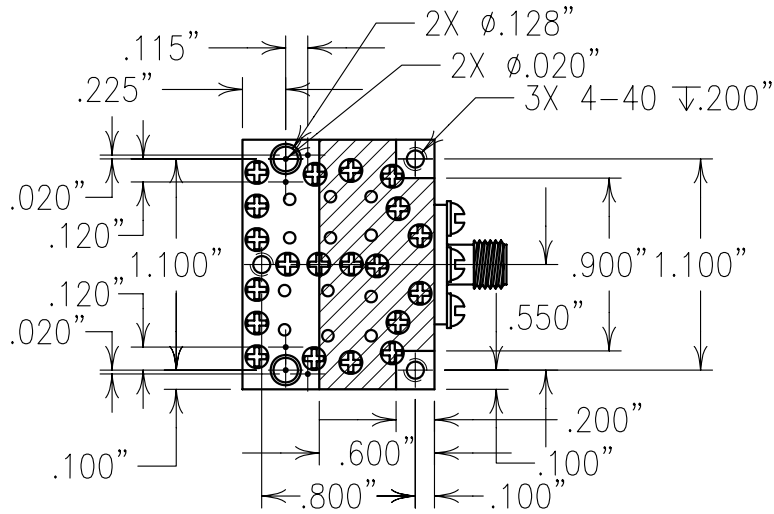


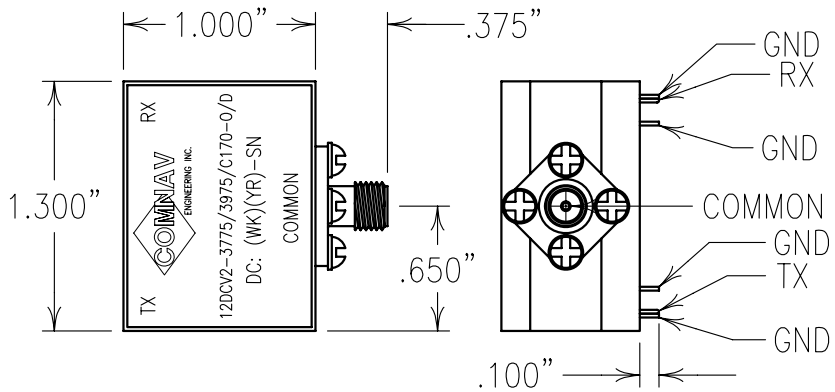
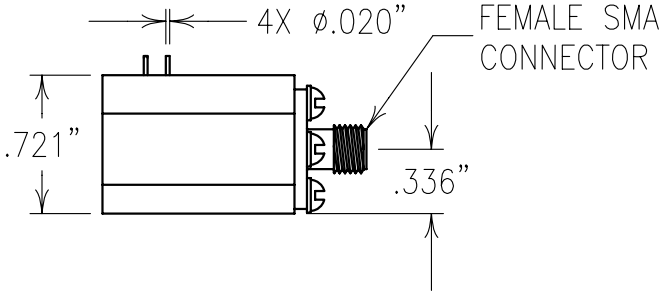
2

1



PAINT (INSULATED)

COPY



ELECTRICAL CHARACTERISTICS

RX BAND

PASSBAND: 3952.5–3997.5 MHz
 PASSBAND LOSS: <2.6 dBa
 PASSBAND FLATNESS: <0.7 dB
 PASSBAND RETURN LOSS: 15 dB MIN
 PASSBAND DELAY VAR.: <3 NSEC

REJECTION:
 40 dBc MIN.: 100–3842.5 MHz
 40 dBc MIN.: 4107.5–7000 MHz
 >65 dB TX–RX ISOLATION: 3712.5–3837.5 MHz

TX BAND:

PASSBAND: 3712.5–3837.5 MHz
 PASSBAND LOSS: <2.0 dBa
 PASSBAND FLATNESS: <0.5 dB
 PASSBAND RETURN LOSS: 15 dB MIN
 PASSBAND DELAY VAR.: <5 NSEC

REJECTION:
 40 dBc MIN.: 100–3600 MHz
 40 dBc MIN.: 3950–7000 MHz
 >65 dB TX–RX ISOLATION: 3952.5–3997.5 MHz
 OPERATING TEMP.: +20 TO +50°C

Customer Validation:

Confidential and Proprietary information of ComNav Engineering Inc. Do Not Duplicate or Use Without Permission. ComNav Engineering Inc. claims Copyright in this document as of the Creation, last revision, and last updated dates. All Rights Reserved.							A
ENGLISH / METRIC CHECKED BY							
ENGLISH							
TOLERANCES UNLESS OTHERWISE SPECIFIED MACHINED SURFACES TO BE 125 OR BETTER REMOVE ALL BURRS	DRAWN BY PBF	A	02OCT07	KJR	DEV.	GEN. REV. PER 2755	
	ENGINEER KJR	II	02APR07	KJR	DEV.	INI. ISS. PER 2647	
		REV	DATE	BY	DCN No.	REMARKS	
ENGLISH (INCHES)	METRIC (MM)	SCALE 1:1	APPLIC: CAVITY FILTER				
.XX ±.02 .XXX ±.010	.X ±.25 .XX ±.13	DATE 02OCT07	TITLE: 12DCV2-3775/3975/C170-0/D				
ANGLES ± 0° 30'		MATERIAL: BOTTOM: BRASS MIDDLE AND TOP: ALUMINUM	DRAWING No. 0L0713		SHEET OF 1 1		
		FINISH: SILVER					

NOTES: LABEL: COMNAV ENGINEERING, INC.
 COMNAV PART #
 SERIAL NUMBER AND DATE CODE

FILTER MAY BE ETCHED OR LABELED.
 FILTER IS ROHS COMPLIANT.