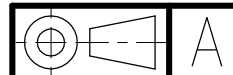
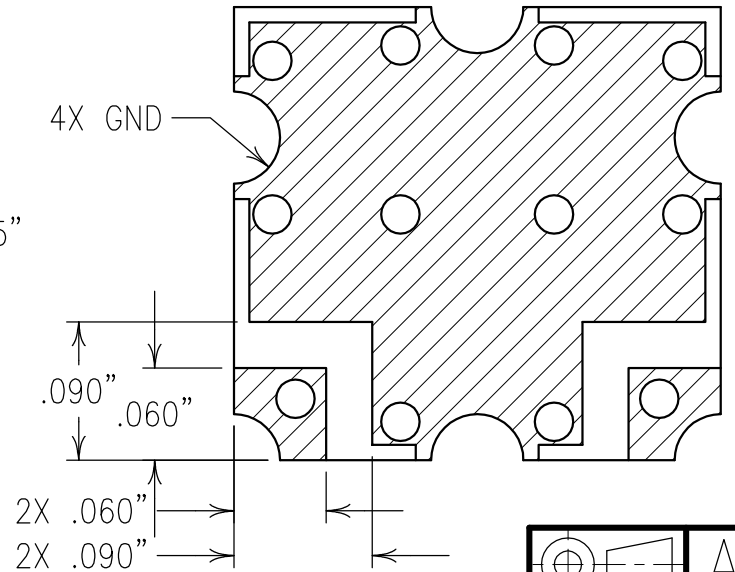
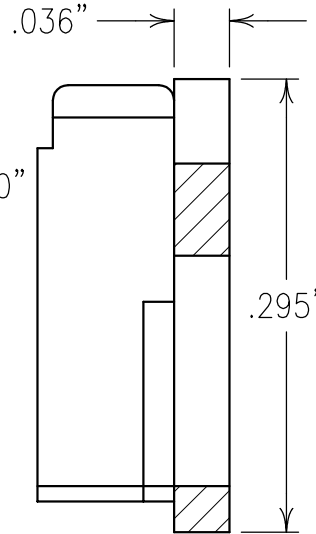
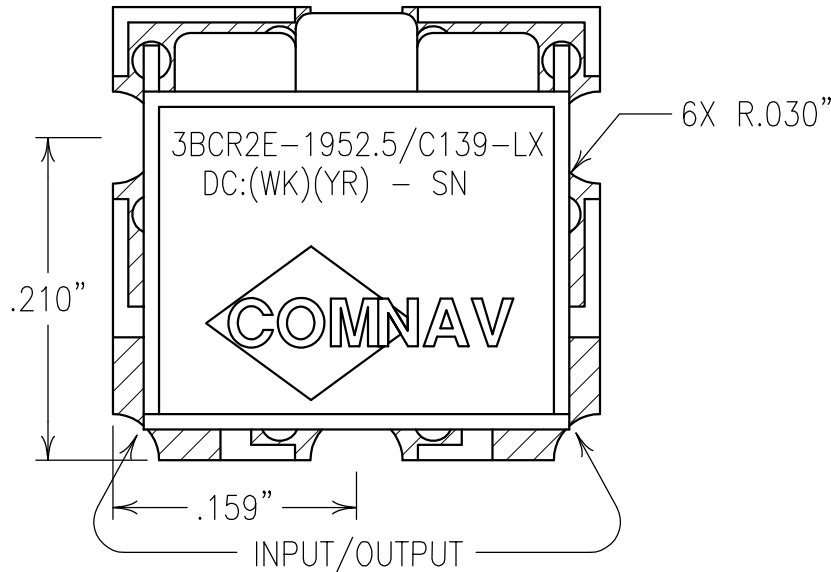


COPY

ELECTRICAL CHARACTERISTICS

CENTER FREQUENCY: 1952.5 MHz
 PASSBAND: 1907-1998 MHz
 PASSBAND INSERTION LOSS: 2.5 dB MAX
 VSWR: 1.5:1 TYPICAL
 PASSBAND RIPPLE: 1.2 dB MAX
 PASSBAND RIPPLE: 0.27 dB MAX IN ANY 8 MHz SEGMENT
 REJECTION: 9 dBc MIN @ 2063 MHz
 22 dBc MIN @ 1840 MHz
 42 dBc MIN @ 1682-1773 MHz
 30 dBc MIN @ 3680 MHz
 IMPEDANCE: 50 OHMS NOM IN/OUT



Confidential and Proprietary information of ComNav Engineering Inc. Do Not Duplicate or Use Without Permission. ComNav Engineering Inc. claims Copyright in this document as of the Creation, last revision, and last updated dates. All Rights Reserved.

RECOMMENDED ATTACHMENT METHOD: SILVER EPOXY OR REFLOW NOT TO EXCEED AS INDICATED BELOW:
 TEMP.(°C) MAX.TIME(SEC)

215	90
230	60
245	30
260	15

FILTER IS ROHS COMPLIANT.
 FILTER MAY BE LABELED OR ETCHED.

ENGLISH / METRIC ENGLISH	CHECKED BY B	08OCT09	KJR	DEV.	GEN. REV. PER 3135
TOLERANCES UNLESS OTHERWISE SPECIFIED MACHINED SURFACES TO BE 125 OR BETTER REMOVE ALL BURRS	DRAWN BY EEF	A	17MAY07	KJR	DEV. GEN. REV. PER 2671
ENGLISH (INCHES) .XX ±.01 .XXX ±.005 ANGLES ± 0° 30'	ENGINEER KJR	II	14FEB07	MJG	DEV. INI. ISS. PER 2623
METRIC (MM) .X ±.25 .XX ±.13	SCALE 8:1	REV	DATE	BY	DCN No. REMARKS
	DATE 15OCT09	APPLIC: COAXIAL FILTER			
	FINISH: BOARD: NI/AU PLATED COPPER JACKET: NI/SILVER RESONATOR: SILVER	TITLE: 3BCR2E-1952.5/C139-LX			
		DRAWING No. 0L0709			SHEET OF 1 1