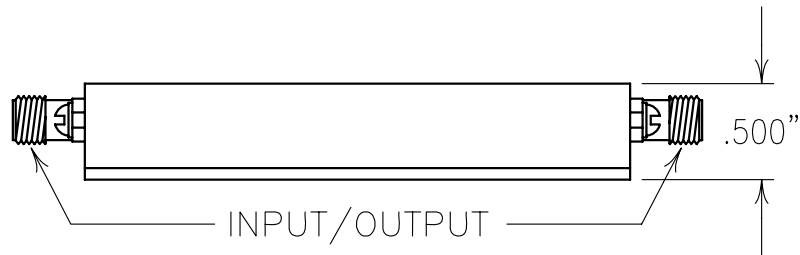


2

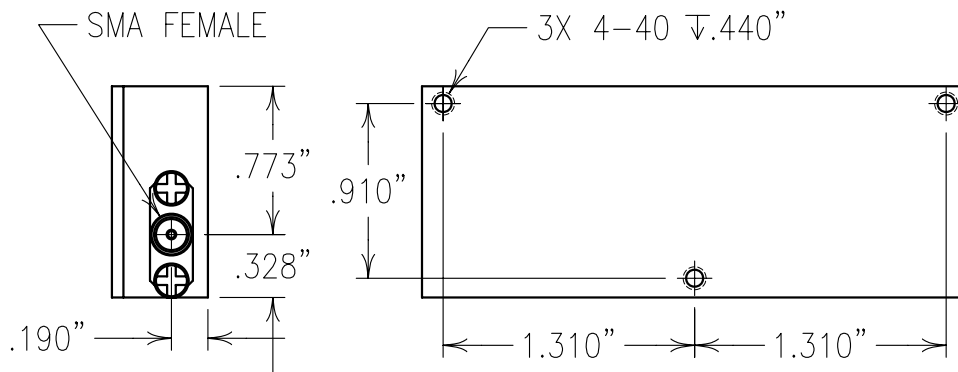
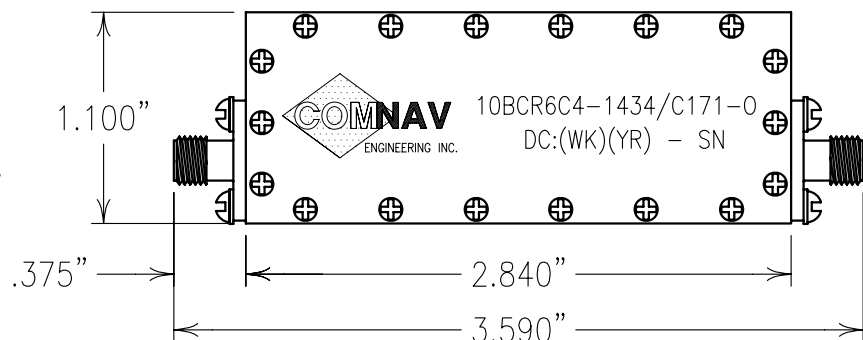
1

ELECTRICAL CHARACTERISTICS

CENTER FREQUENCY: 1433.5 MHz
 3 dB PASSBAND: 1348-1519 MHz
 INSERTION LOSS: 2.0 dB @ FO
 PASSBAND VSWR: 2.0:1
 REJECTION:
 70 dBc MIN @ 1300 MHz
 60 dBc MIN @ DC-1255 MHz
 60 dBc MIN @ 1600 MHz
 IMPEDANCE: 50 OHMS NOM IN/OUT
 OPERATING TEMP.: -40 TO +90°C



COPY



Confidential and Proprietary information of ComNav Engineering Inc. Do Not Duplicate or Use Without Permission. ComNav Engineering Inc. claims Copyright in this document as of the Creation, last revision, and last updated dates. All Rights Reserved.

NOTES:

ENGLISH / METRIC ENGLISH		CHECKED BY							
TOLERANCES UNLESS OTHERWISE SPECIFIED		DRAWN BY		II		22DEC06		KJR DEV. INI. ISS. PER 2601	
MACHINED SURFACES TO BE 125 OR BETTER REMOVE ALL BURRS		ENGINEER		KJR		REV		DATE BY DCN No. REMARKS	
ENGLISH (INCHES)	METRIC (MM)	SCALE		APPLIC: CERAMIC COAXIAL FILTER					
.XX ±.01	.X ±.2	1:1		TITLE: 10BCR6C4-1434/C171-0					
.XXX ±.005	.XX ±.13	DATE		03JAN07					
ANGLES ± 0° 30'		MATERIAL: COVER: ALUMINUM BASE: ALUMINUM				DRAWING No.		SHEET OF	
COMNAV ENGINEERING INC.		FINISH: COVER: SILVER PLATED BASE: SILVER PLATED				0L0696		1 1	