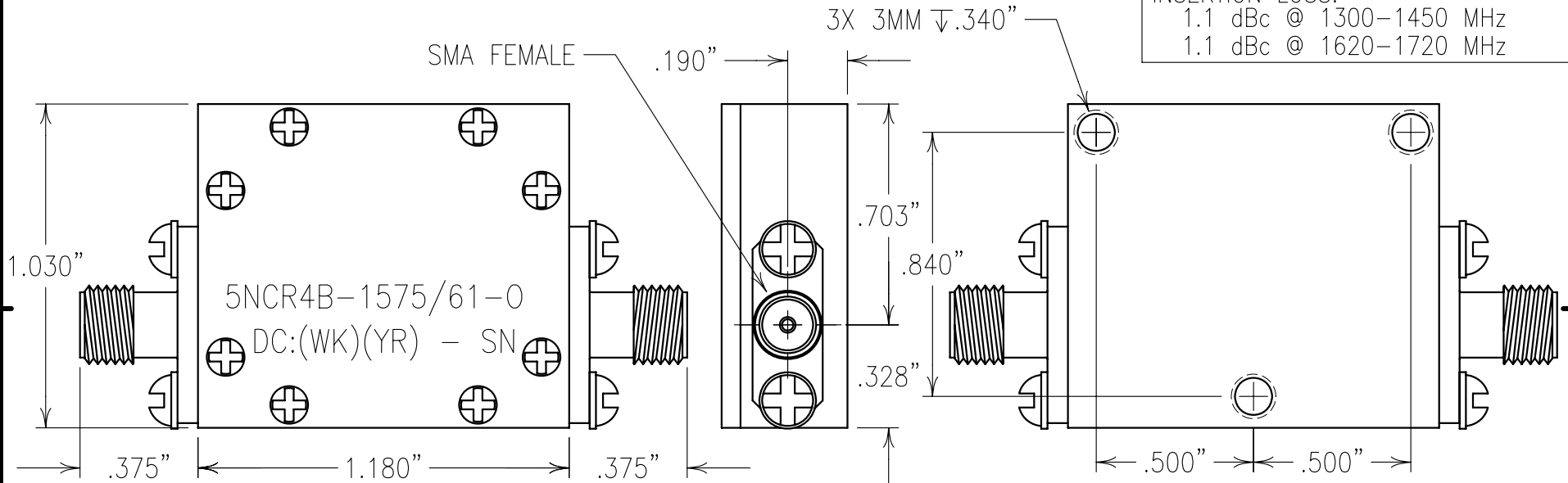


COPY

ELECTRICAL CHARACTERISTICS

PASSBAND1:	1300-1420 MHz
PB1 RETURN LOSS:	1.7:1 TYP.
PASSBAND2:	1620-1720 MHz
PB2 RETURN LOSS:	1.5:1
REJECTION:	
	25 dBc MIN @ 1570-1574 MHz
	50 dBc MIN @ 1574-1576 MHz
	20 dBc MIN @ 1576-1580 MHz
INSERTION LOSS:	
	1.1 dBc @ 1300-1450 MHz
	1.1 dBc @ 1620-1720 MHz



Confidential and Proprietary information of ComNav Engineering Inc. Do Not Duplicate or Use Without Permission. ComNav Engineering Inc. claims Copyright in this document as of the Creation, last revision, and last updated dates. All Rights Reserved.

ENGLISH / METRIC ENGLISH	CHECKED BY				
TOLERANCES UNLESS OTHERWISE SPECIFIED MACHINED SURFACES TO BE 125 OR BETTER REMOVE ALL BURRS	DRAWN BY PBF	A	18JAN07	KJR	DEV.
	ENGINEER KJR	II	07DEC06	KJR	DEV.
	REV	DATE	BY	DCN No.	REMARKS

NOTES:

ENGLISH (INCHES) .XX ±.01 .XXX ±.005 ANGLES ± 0° 30'	METRIC (MM) .X ±.2 .XX ±.13	SCALE 2:1	APPLIC: CERAMIC COAXIAL FILTER
		DATE 18JAN07	TITLE: 5NCR4B-1575/61-0

	MATERIAL: COVER: ALUMINUM BASE: ALUMINUM	DRAWING No.	SHEET OF 1 1
	FINISH: COVER: NICKEL PLATED BASE: NICKEL PLATED	0L0693	