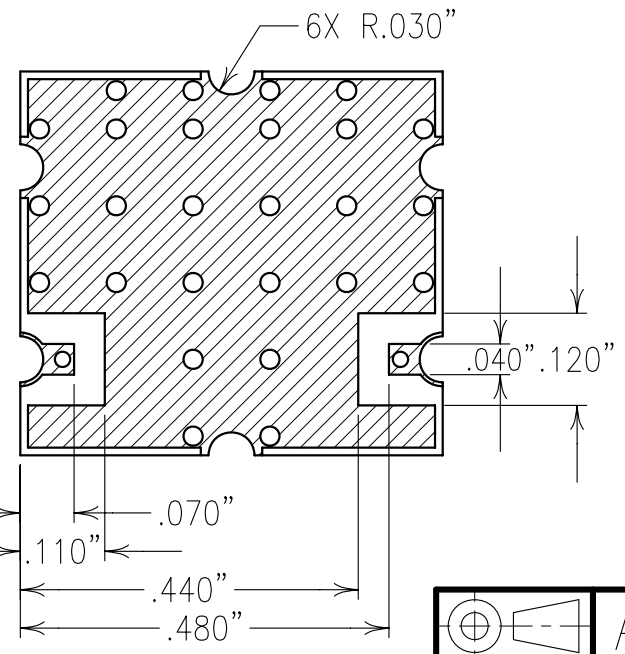
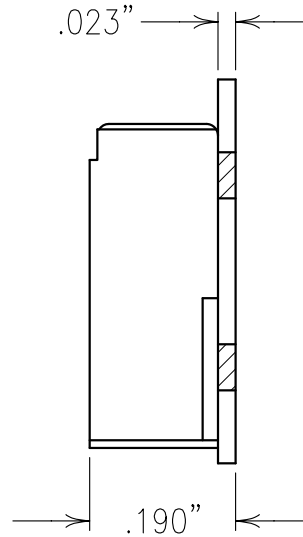
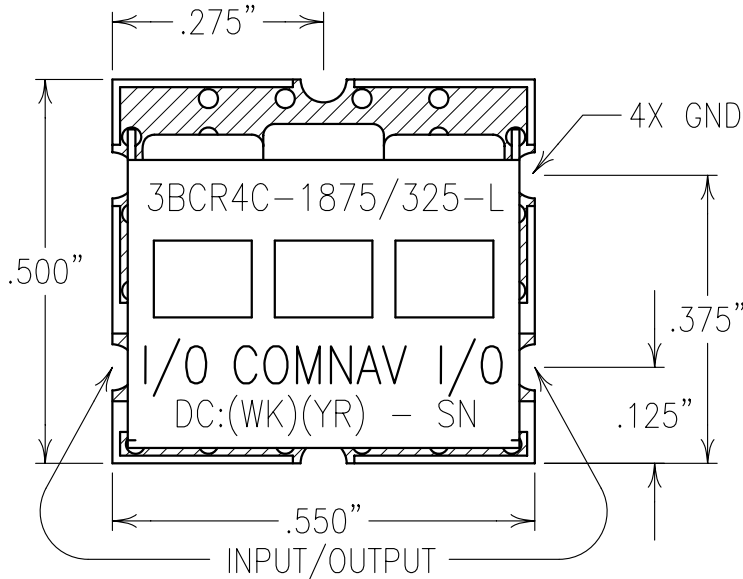


**COPY**

ELECTRICAL CHARACTERISTICS

|                           |               |
|---------------------------|---------------|
| CENTER FREQUENCY:         | 1875 MHz NOM  |
| PASSBAND:                 | 1775-1975 MHz |
| INSERTION LOSS OVER P.B.: | 2 dB MAX      |
| REJECTION:                |               |
| DC TO 1350 MHz:           | 36 dBc MIN    |
| 2490 TO 2535 MHz:         | 33 dBc MIN    |
| 2535 TO 3000 MHz:         | 36 dBc MIN    |
| IMPEDANCE:                | 50 OHMS       |
| VSWR OVER PASSBAND:       | 1.5:1 MAX     |
| TEMPERATURE RANGE:        | -20° TO +70°C |



Confidential and Proprietary information of ComNav Engineering Inc. Do Not Duplicate or Use Without Permission. ComNav Engineering Inc. claims Copyright in this document as of the Creation, last revision, and last updated dates. All Rights Reserved.

NOTES: RECOMMENDED ATTACHMENT METHOD: SILVER EPOXY OR REFLOW NOT TO EXCEED AS INDICATED BELOW:  
TEMP.(°C) MAX.TIME(SEC)

|     |    |
|-----|----|
| 215 | 90 |
| 230 | 60 |
| 245 | 30 |
| 260 | 15 |

FILTER IS ROHS COMPLIANT.  
FILTER MAY BE LABELED OR ETCHED.

|  |  |                          |         |     |                 |
|--|--|--------------------------|---------|-----|-----------------|
| ENGLISH / METRIC<br>ENGLISH  | CHECKED BY   |                          |         |     |                 |
| TOLERANCES UNLESS OTHERWISE SPECIFIED<br>MACHINED SURFACES TO BE 125 / OR BETTER<br>REMOVE ALL BURRS | DRAWN BY<br>PBF  | A                        | 19JAN07 | KJR | DEV.            |
| ENGLISH (INCHES)<br>.XX ±.01<br>.XXX ±.005   | ENGINEER<br>KJR  | II                       | 27NOV06 | KJR | DEV.            |
| METRIC (MM)<br>.X ±.25<br>.XX ±.13   | SCALE<br>4:1   | REV                      | DATE    | BY  | DCN No.         |
| ANGLES ± 0° 30'  | DATE<br>19JAN07  | APPLIC: COAXIAL FILTER   |         |     |                 |
|  | FINISH: BOARD: NI/AU PLATED COPPER<br>JACKET: NI/SILVER<br>RESONATOR: SILVER | TITLE: 3BCR4C-1875/325-L |         |     |                 |
|  |  | DRAWING No.<br>OL0691    |         |     | SHEET OF<br>1 1 |