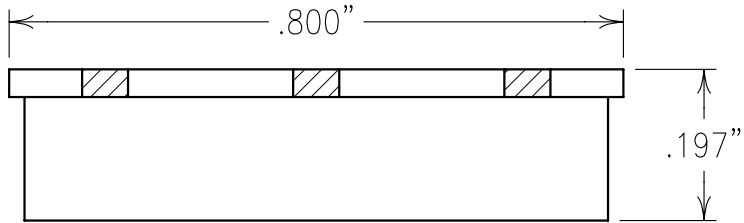


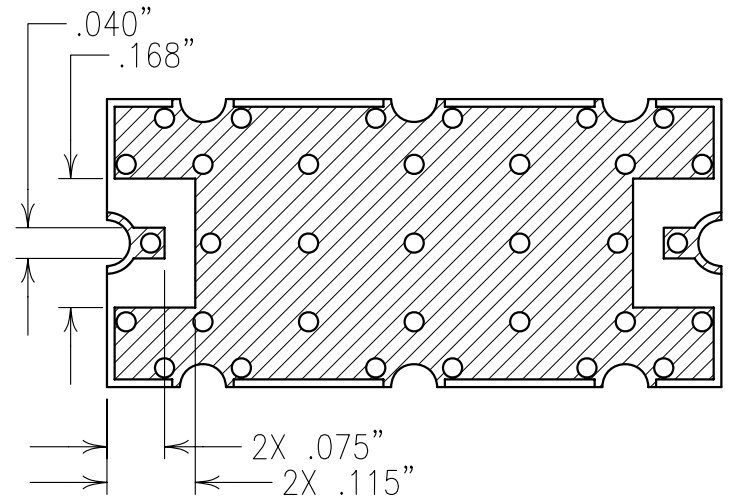
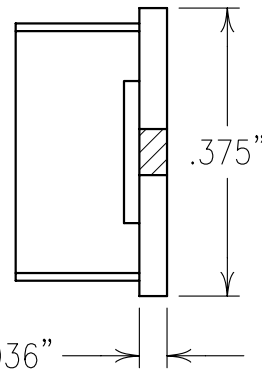
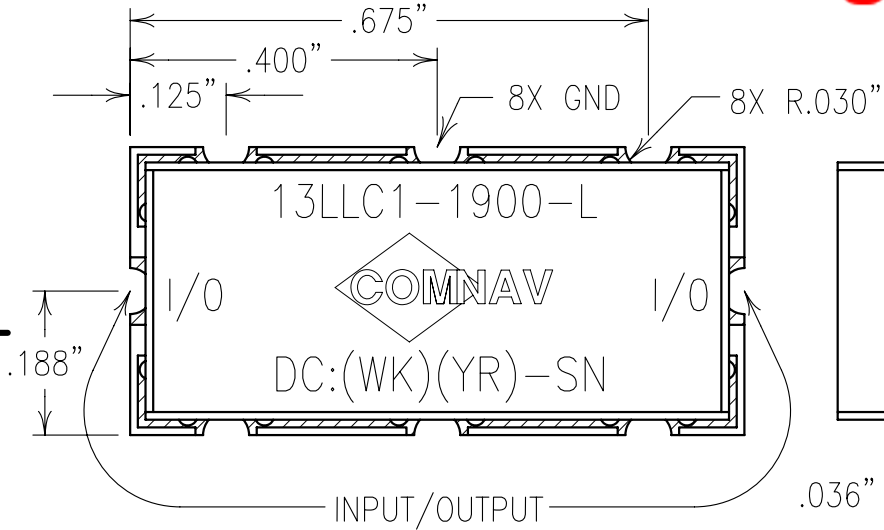
2

1

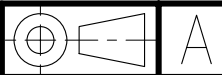


ELECTRICAL CHARACTERISTICS	
PASSBAND:	DC-1900 MHz
PASSBAND INSERTION LOSS:	1.0 dB NOM/1.5 dB MAX
PASSBAND VARIATION @700-1900 MHz:	1.0 dB MAX
PASSBAND VSWR:	1.7:1 TYP.
REJECTION:	
2100 MHz:	50 dBc
OPERATING TEMPERATURE:	-40° TO +85°C
STORAGE TEMPERATURE:	-54° TO +85°C

COPY



Confidential and Proprietary information of ComNav Engineering Inc. Do Not Duplicate or Use Without Permission. ComNav Engineering Inc. claims Copyright in this document as of the Creation, last revision, and last updated dates. All Rights Reserved.



NOTES:

NO TIN PLATING UNDER SOLDER MASK.  
 RECOMMENDED ATTACHMENT METHOD: SILVER EPOXY  
 OR REFLOW NOT TO EXCEED AS INDICATED BELOW:

TEMP.(°C)	MAX.TIME(SEC)
215	90
230	60
245	30
260	15

FILTER MAY BE ETCHED OR LABELED.  
 FILTER IS ROHS COMPLIANT.

ENGLISH / METRIC ENGLISH	CHECKED BY				
TOLERANCES UNLESS OTHERWISE SPECIFIED	DRAWN BY				
MACHINED SURFACES TO BE 125 OR BETTER REMOVE ALL BURRS	PBF				
ENGLISH (INCHES)	ENGINEER	II	05OCT06	KJR	DEV.
.XX ±.02 .XXX ±.010	KJR	REV	DATE	BY	DCN No.
METRIC (MM)					
.X ±.25 .XX ±.13					
ANGLES ± 0° 30'					
SCALE 4:1	APPLIC:	LC COAXIAL FILTER			
DATE 10OCT06	TITLE:	13LLC1-1900-L			
FINISH: BOARD: NI/AU PLATED COPPER JACKET: NI/SILVER	DRAWING No.	0L0682			
COMNAV ENGINEERING INC.					SHEET OF 1 1