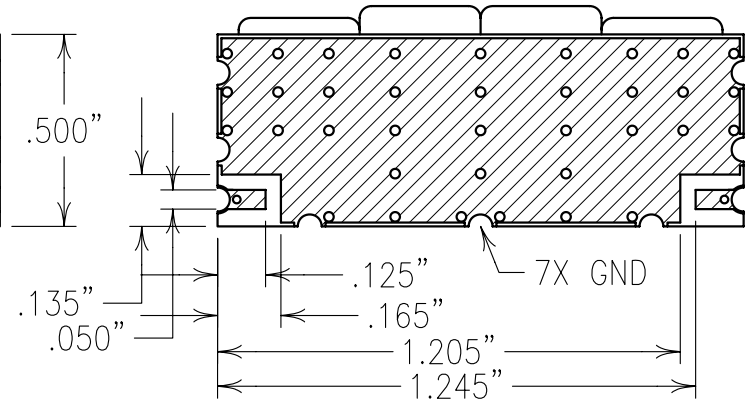
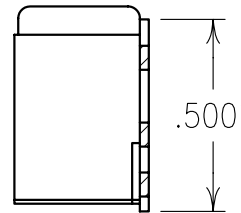
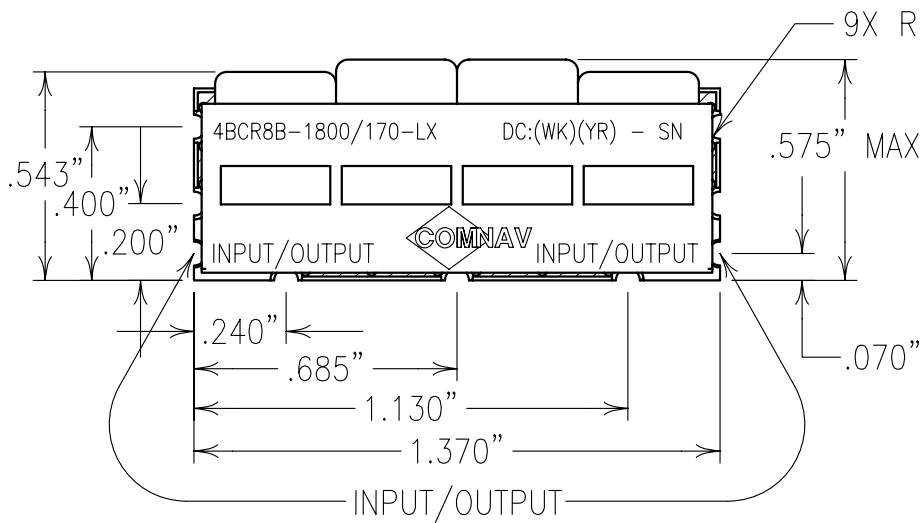


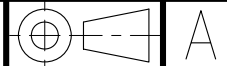
COPY

ELECTRICAL CHARACTERISTICS

CENTER FREQUENCY:	1800 MHz
PASSBAND:	1750-1850 MHz
PASSBAND INSERTION LOSS:	0.5 dB MAX
PASSBAND VARIATION:	0.2 dB MAX
PASSBAND VSWR:	14 dB MIN
ATTENUATION:	
	35 dBc MIN @ 1575 AND 2050 MHz
	55 dBc MIN @ 925 AND FREQS UP TO 3500 MHz
RF INPUT POWER:	+44 dBm
OPERATIONAL TEMP.:	-40 TO +85°C



Confidential and Proprietary information of ComNav Engineering Inc. Do Not Duplicate or Use Without Permission. ComNav Engineering Inc. claims Copyright in this document as of the Creation, last revision, and last updated dates. All Rights Reserved.



NOTES:

RECOMMENDED ATTACHMENT METHOD: SILVER EPOXY OR REFLOW NOT TO EXCEED AS INDICATED BELOW:

TEMP.(°C) MAX.TIME(SEC)

215	90
230	60
245	30
260	15

ENGLISH / METRIC ENGLISH		CHECKED BY					
TOLERANCES UNLESS OTHERWISE SPECIFIED		DRAWN BY		PBF			
MACHINED SURFACES TO BE 125 / OR BETTER REMOVE ALL BURRS		II	15SEP06	MJG	DEV.	INI. ISS. PER 2567	
		ENGINEER	REV	DATE	BY	DCN No.	REMARKS
ENGLISH (INCHES)	METRIC (MM)	SCALE 2:1		APPLIC: CERAMIC COAXIAL FILTER			
.XX ±.02	.X ±.5	DATE 21SEP06		TITLE: 4BCR8B-1800/170-LX			
.XXX ±.010	.XX ±.25			DRAWING No.		SHEET OF 1 1	
ANGLES ± 0° 30'		FINISH: BOARD: NICKEL/GOLD RESONATOR: SILVER JACKET: NICKEL/SILVER		0L0679			