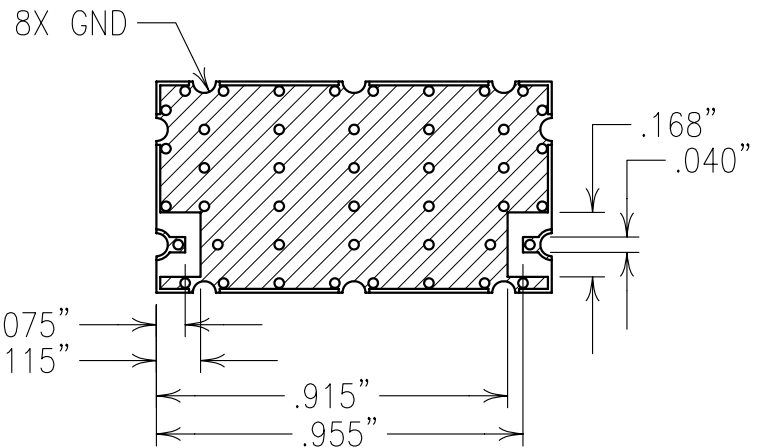
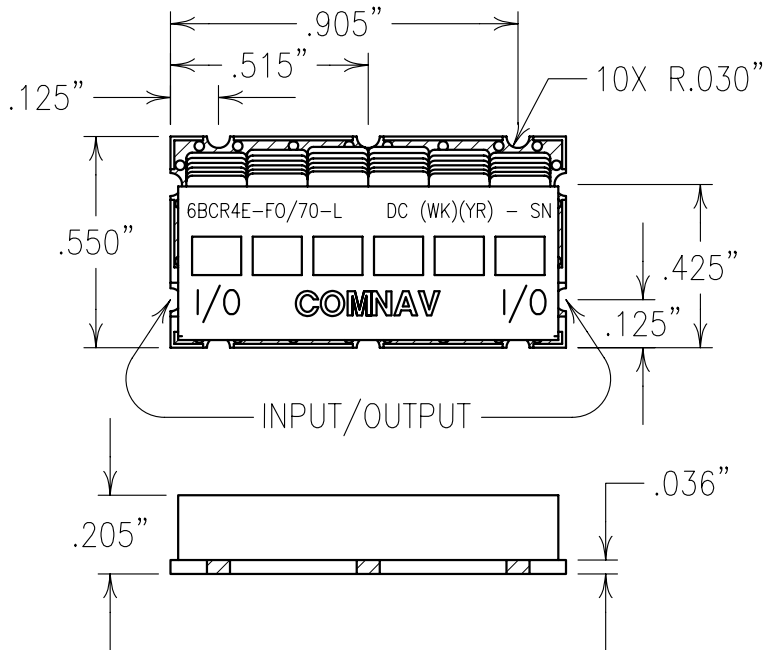
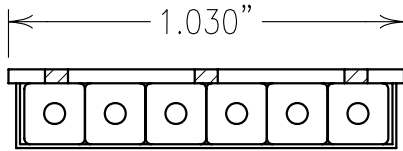


COPY



ELECTRICAL CHARACTERISTICS

CENTER FREQUENCY (F0):	980, 1030, 1080, 1130, 1180, 1230 MHz
CENTER FREQ. TOLERANCE:	±1 MHz
3 dB BANDWIDTH:	70±1 MHz
INSERTION LOSS:	5.0 dB MAX @ F0
VSWR:	1.5:1 TYPICAL
REJECTION:	60 dB MIN @ F0±100 MHz
GROUP DELAY VARIATION:	40 NS MAX @ F0±35 MHz
POWER:	250 mW
OPERATING TEMP.:	-40 TO +85 °C

NOTES:

NO TIN PLATING UNDER SOLDER MASK.
 RECOMMENDED ATTACHMENT METHOD: SILVER EPOXY
 OR REFLOW NOT TO EXCEED AS INDICATED BELOW:
 TEMP.(°C) MAX.TIME(SEC)

215	90
230	60
245	30
260	15

FILTER IS ROHS COMPLIANT.
 FILTER MAY BE ETCHED OR LABELED.

Confidential and Proprietary information of ComNav Engineering Inc. Do Not Duplicate or Use Without Permission. ComNav Engineering Inc. claims Copyright in this document as of the Creation, last revision, and last updated dates. All Rights Reserved.

ENGLISH / METRIC ENGLISH	CHECKED BY				
TOLERANCES UNLESS OTHERWISE SPECIFIED	DRAWN BY				
MACHINED SURFACES TO BE 125 OR BETTER REMOVE ALL BURRS	ENGINEER	II	12SEP06	KJR	DEV. INI. ISS. PER 2564
ENGLISH (INCHES)	METRIC (MM)	SCALE	APPLIC: CERAMIC COAXIAL FILTER		
.XX ±.02 .XXX ±.010	.X ±.25 .XX ±.13	2:1	TITLE: 6BCR4E-F0/70-L		
ANGLES ± 0° 30'	DATE	14SEP06	DRAWING No. 0L0678		
COMNAV ENGINEERING INC.	FINISH:	BOARD: NI/AU PLATED COPPER JACKET: NI/SILVER RESONATOR: SILVER	SHEET OF 1 1		