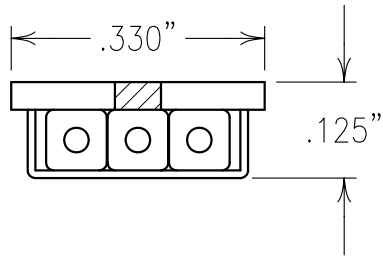


2

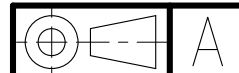
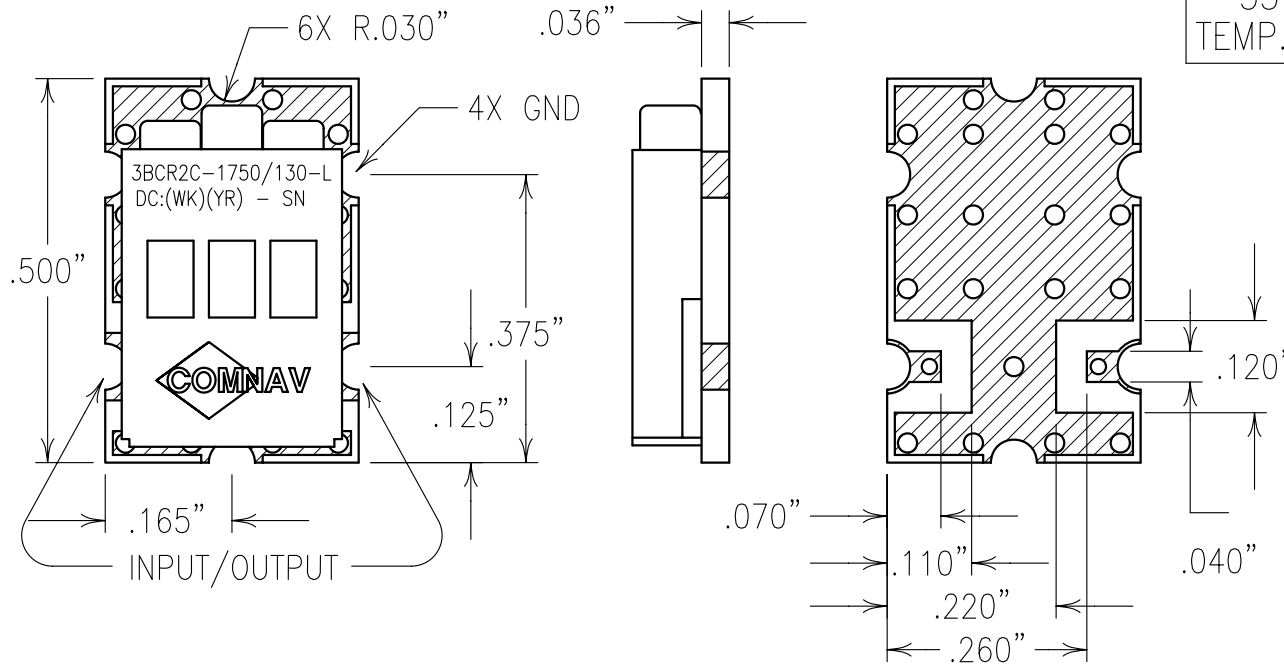
1



**COPY**

**ELECTRICAL CHARACTERISTICS**

CENTER FREQUENCY: 1750 MHz  
 1 dB BANDWIDTH: 100 MHz MIN  
 INSERTION LOSS: 2 dB MAX @ FO  
 VSWR: <1.5:1 TYPICAL  
 REJECTION:  
 25 dBa MIN @ 1550 & 1950 MHz  
 35 dBa MIN @ 1450 & 2050 MHz  
 TEMP. RANGE: -25° TO +85°C



Confidential and Proprietary information of ComNav Engineering Inc. Do Not Duplicate or Use Without Permission. ComNav Engineering Inc. claims Copyright in this document as of the Creation, last revision, and last updated dates. All Rights Reserved.

RECOMMENDED ATTACHMENT METHOD: SILVER EPOXY  
 OR REFLOW NOT TO EXCEED AS INDICATED BELOW:  
 TEMP.(°C) MAX.TIME(SEC)

215	90
230	60
245	30
260	15

FILTER IS ROHS COMPLIANT.  
 FILTER MAY BE LABELED OR ETCHED.

ENGLISH / METRIC ENGLISH		CHECKED BY			
TOLERANCES UNLESS OTHERWISE SPECIFIED		DRAWN BY PBF			
MACHINED SURFACES TO BE 125 / OR BETTER		II	12SEP06	KJR	DEV.
REMOVE ALL BURRS		ENGINEER	REV	DATE	BY
ENGLISH (INCHES)		KJR	DCN No.	REMARKS	
METRIC (MM)		SCALE 4:1			
.XX ±.01		APPLIC: COAXIAL FILTER			
.XXX ±.005		DATE 13SEP06			
ANGLES ± 0° 30'		TITLE: 3BCR2C-1750/130-L			
FINISH: BOARD: NI/AU PLATED COPPER		DRAWING No.		SHEET OF 1 1	
JACKET: NI/SILVER		OL0677			
RESONATOR: SILVER					