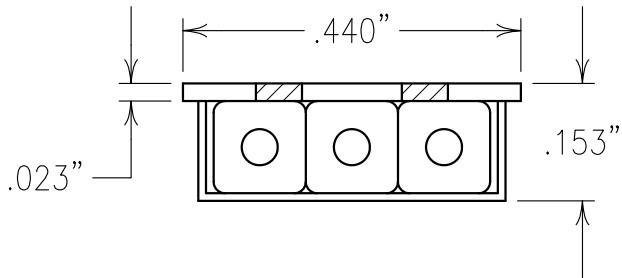


2

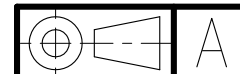
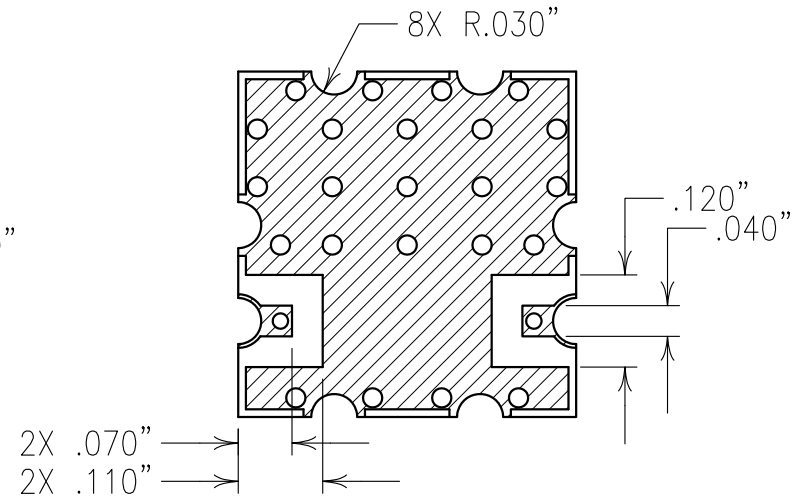
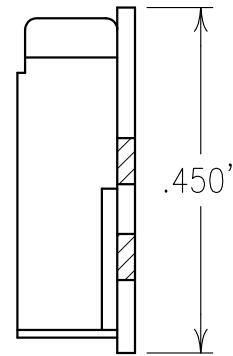
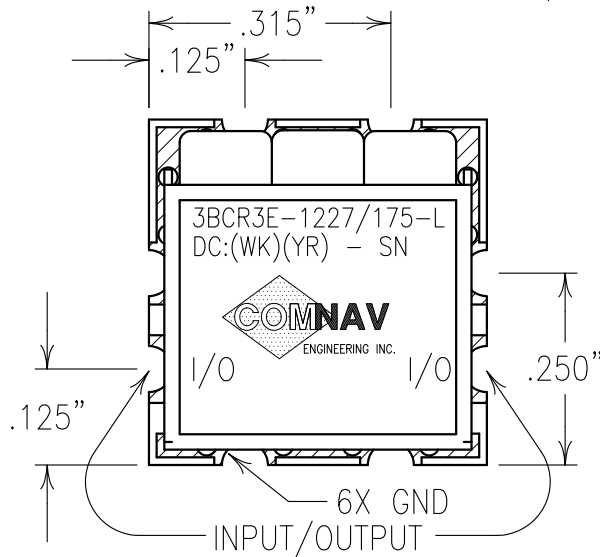
1



**COPY**

**ELECTRICAL CHARACTERISTICS**

CENTER FREQUENCY:	1227 MHz
PASSBAND:	1165-1300 MHz
INSERTION LOSS:	<1.0 dB
PASSBAND FLATNESS:	<0.5 dB
VSWR:	1.5:1 TYP.
PASSBAND RETURN LOSS:	11 dB
REJECTION:	
1092.5 MHz:	>16 dBc
1372.5 MHz:	>11 dBc
1032.5 MHz:	>27 dBc
1432.5 MHz:	>19 dBc



Confidential and Proprietary information of ComNav Engineering Inc. Do Not Duplicate or Use Without Permission. ComNav Engineering Inc. claims Copyright in this document as of the Creation, last revision, and last updated dates. All Rights Reserved.

NOTES:

RECOMMENDED ATTACHMENT METHOD: SILVER EPOXY OR REFLOW NOT TO EXCEED AS INDICATED BELOW:

TEMP.(°C)	MAX.TIME(SEC)
215	90
230	60
245	30
260	15

FILTER IS ROHS COMPLIANT. FILTER MUST BE LABELED.

ENGLISH / METRIC ENGLISH	CHECKED BY B	02JAN15	KJR	DEV.	GEN. REV. PER 3874
TOLERANCES UNLESS OTHERWISE SPECIFIED	DRAWN BY A	14APR09	KJR	DEV.	GEN. REV. PER 3036
MACHINED SURFACES TO BE 125 / OR BETTER	ENGINEER II	31AUG06	KJR	DEV.	INI. ISS. PER 2561
REMOVE ALL BURRS	REV	DATE	BY	DCN No.	REMARKS
ENGLISH (INCHES)	METRIC (MM)	SCALE 4:1	APPLIC: CERAMIC COAXIAL FILTER		
.XX ±.02 .XXX ±.010	.X ±.5 .XX ±.25	DATE 05JAN15	TITLE: 3BCR3E-1227/175-L		
ANGLES ± 0° 30'	FINISH: BOARD: NICKEL/GOLD PLATED COPPER JACKET: NICKEL/SILVER RESONATOR: SILVER	DRAWING No. 0L0676	SHEET OF 1 1		