

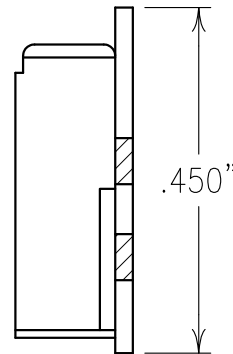
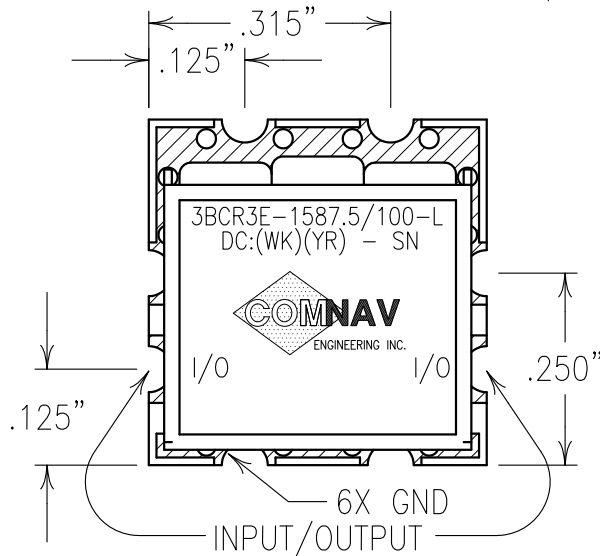
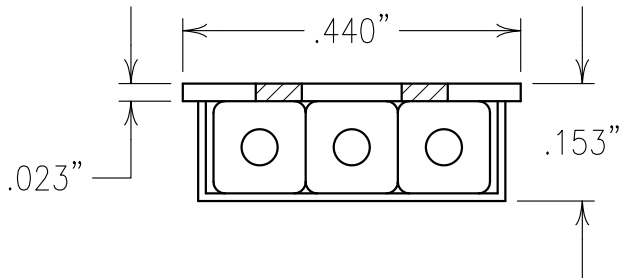
2

1

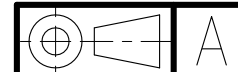
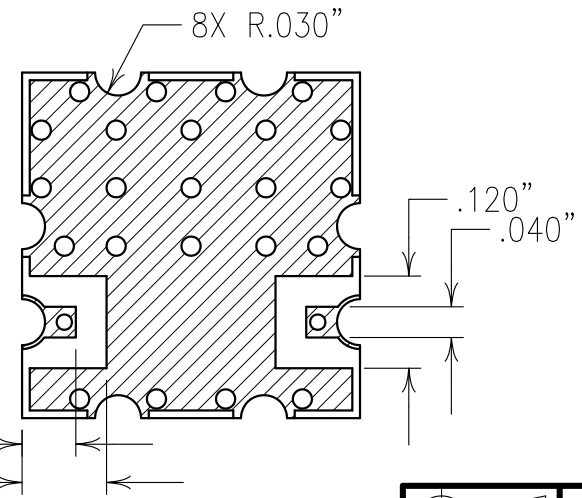
ELECTRICAL CHARACTERISTICS

CENTER FREQUENCY:	1587.5 MHz
PASSBAND:	1565-1610 MHz
3 dB BANDWIDTH:	100 MHz NOM
INSERTION LOSS:	<1.3 dB
PASSBAND FLATNESS:	<0.5 dB
VSWR:	1.5:1 TYP.
REJECTION:	
1490 MHz:	>15 dBc
1685 MHz:	>15 dBc
1390 MHz:	>35 dBc
1785 MHz:	>30 dBc

**COPY**



2X .070"  
2X .110"



Confidential and Proprietary information of ComNav Engineering Inc. Do Not Duplicate or Use Without Permission. ComNav Engineering Inc. claims Copyright in this document as of the Creation, last revision, and last updated dates. All Rights Reserved.

NOTES: RECOMMENDED ATTACHMENT METHOD: SILVER EPOXY OR REFLOW NOT TO EXCEED AS INDICATED BELOW:  
TEMP.(°C) MAX.TIME(SEC)

215	90
230	60
245	30
260	15

FILTER IS ROHS COMPLIANT.  
FILTER MUST BE LABELED.

ENGLISH / METRIC ENGLISH	CHECKED BY				
TOLERANCES UNLESS OTHERWISE SPECIFIED	DRAWN BY	A	02JAN15	KJR	DEV.
MACHINED SURFACES TO BE 125 / OR BETTER	ENGINEER	II	31AUG06	KJR	DEV.
REMOVE ALL BURRS	REV				
ENGLISH (INCHES)	SCALE	APPLIC: CERAMIC COAXIAL FILTER			
METRIC (MM)	DATE	TITLE: 3BCR3E-1587.5/100-L			
.XX ±.02	05JAN15				
.XXX ±.010					
ANGLES ± 0° 30'					
COMNAV ENGINEERING INC.	FINISH:	BOARD: NICKEL/GOLD PLATED COPPER		DRAWING No.	
	JACKET: NICKEL/SILVER	RESONATOR: SILVER		0L0673	
				SHEET OF 1 1	