

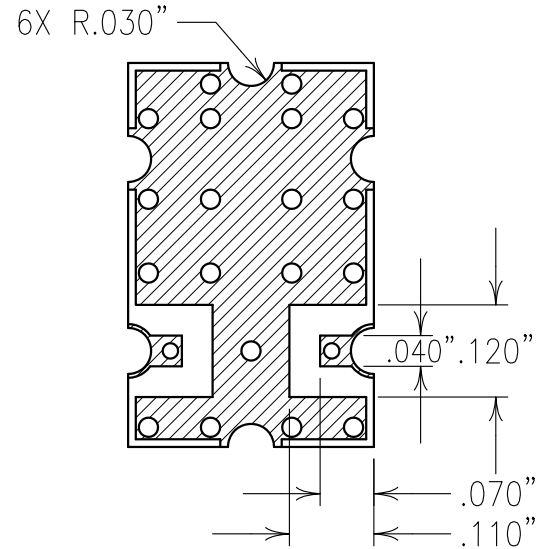
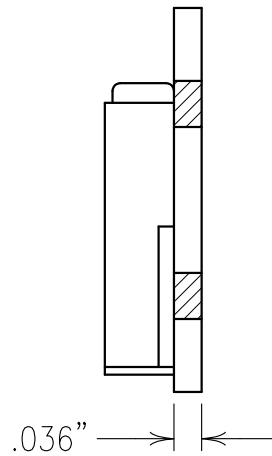
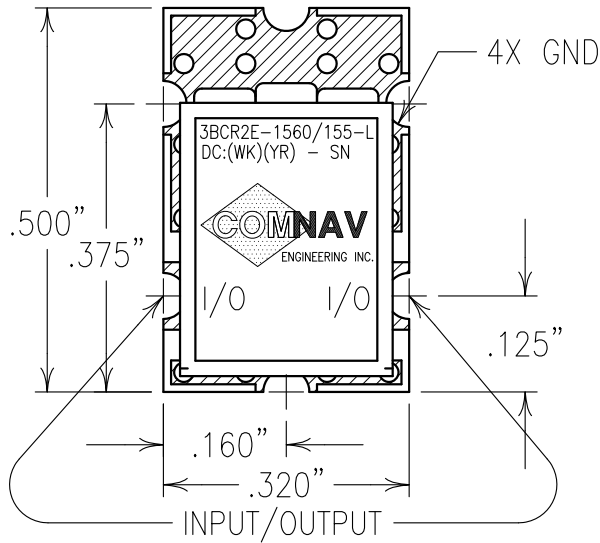
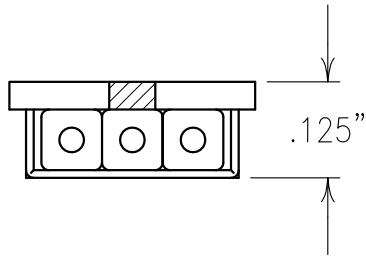
2

1

**COPY**

**ELECTRICAL CHARACTERISTICS**

CENTER FREQUENCY: 1560 MHz  
 1.0 dB PASSBAND: 1500-1620 MHz  
 INSERTION LOSS: 1 dB MAX @ FO  
 PASSBAND VSWR: 1.5:1 TYP  
 REJECTION:  
 30 dBc MIN @ 1300 MHz  
 25 dBc MIN @ 1820 MHz  
 IMPEDANCE: 50 OHMS



Confidential and Proprietary information of ComNav Engineering Inc. Do Not Duplicate or Use Without Permission. ComNav Engineering Inc. claims Copyright in this document as of the Creation, last revision, and last updated dates. All Rights Reserved.

ENGLISH / METRIC ENGLISH	CHECKED BY					
TOLERANCES UNLESS OTHERWISE SPECIFIED	DRAWN BY	A	02JAN15	KJR	DEV.	GEN. REV. PER 3874
MACHINED SURFACES TO BE 125 / OR BETTER	ENGINEER	II	31AUG06	KJR	DEV.	INI. ISS. PER 2560
REMOVE ALL BURRS	ENGINEER	KJR	REV	DATE	BY	DCN No. REMARKS

ENGLISH (INCHES)	METRIC (MM)	SCALE	APPLIC:
.XX ±.01	.X ±.2	4:1	CERAMIC COAXIAL FILTER
.XXX ±.005	.XX ±.13	DATE	TITLE:
ANGLES ± 0° 30'		05JAN15	3BCR2E-1560/155-L

	FINISH: BOARD: NICKEL/GOLD JACKET: NICKEL/SILVER RESONATOR: SILVER	DRAWING No.	SHEET OF
		0L0672	1 1

NOTES:  
 RECOMMENDED ATTACHMENT METHOD: SILVER EPOXY OR REFLOW NOT TO EXCEED AS INDICATED BELOW:  
 TEMP.(°C) MAX.TIME(SEC)

215	90
230	60
245	30
260	15

RECOMMENDED FOOTPRINT: FP0107  
 FILTER IS ROHS COMPLIANT.  
 FILTER MUST BE LABELED.