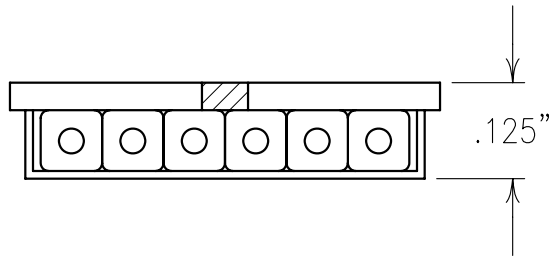
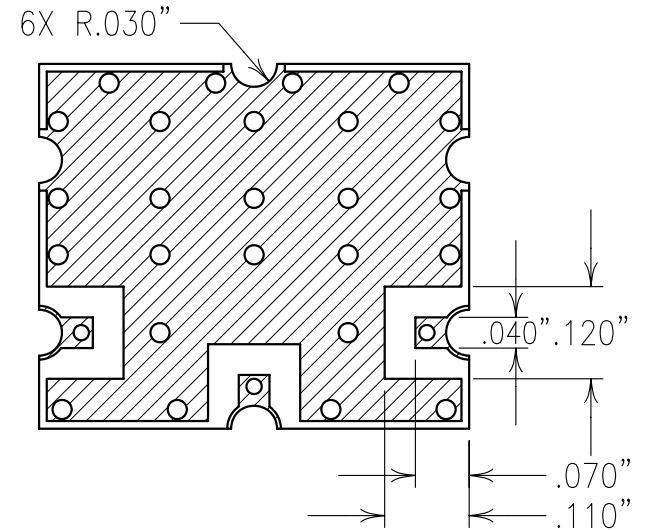
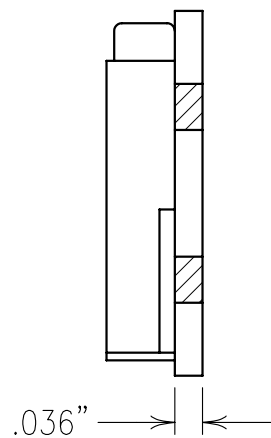
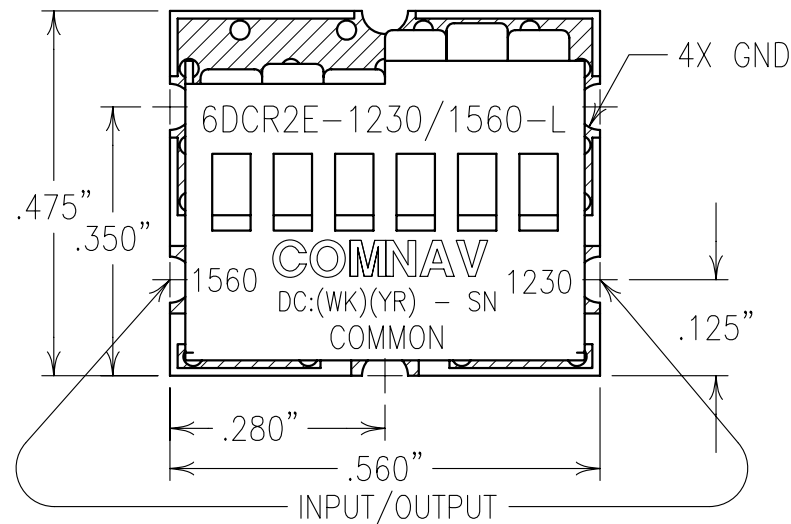


2

1



**COPY**



ELECTRICAL CHARACTERISTICS	
CHANNEL 1	CHANNEL 2
CENTER FREQUENCY: 1230 MHz	1560 MHz
1 dB PASSBAND: 1160-1300 MHz	1500-1620 MHz
INSERTION LOSS: 1.2 dB MAX @ FO	0.9 dB MAX @ FO
PASSBAND FLATNESS: 1.0 dB MAX	1.0 dB MAX
PASSBAND VSWR: 1.7:1 TYP	1.7:1 TYP
CO-CHANNEL ISOLATION: >30 dBc	
IMPEDANCE: 50 OHMS	

B



Confidential and Proprietary information of ComNav Engineering Inc. Do Not Duplicate or Use Without Permission. ComNav Engineering Inc. claims Copyright in this document as of the Creation, last revision, and last updated dates. All Rights Reserved.

ENGLISH / METRIC ENGLISH	CHECKED BY					
TOLERANCES UNLESS OTHERWISE SPECIFIED	DRAWN BY	A	20NOV06	KJR	DEV.	GEN. REV. PER 2587
MACHINED SURFACES TO BE 125 / OR BETTER	ENGINEER	II	31AUG06	KJR	DEV.	INI. ISS. PER 2560
REMOVE ALL BURRS	REVISION	REV	DATE	BY	DCN No.	REMARKS

ENGLISH (INCHES)	METRIC (MM)	SCALE	APPLIC:
.XX ±.01	.X ±.2	4:1	CERAMIC COAXIAL FILTER
.XXX ±.005	.XX ±.13	DATE	TITLE:
ANGLES ± 0° 30'		20NOV06	6DCR2E-1230/1560-L

	FINISH: BOARD: NICKEL/GOLD JACKET: NICKEL/SILVER RESONATOR: SILVER	DRAWING No. OL0670	SHEET OF 1 1
--	--	-----------------------	-----------------

NOTES:  
 RECOMMENDED ATTACHMENT METHOD: SILVER EPOXY OR REFLOW NOT TO EXCEED AS INDICATED BELOW:  
 TEMP.(°C) MAX.TIME(SEC)  
 215 90  
 230 60  
 245 30  
 260 15  
 RECOMMENDED FOOTPRINT: FP0106  
 FILTER IS ROHS COMPLIANT.  
 FILTER MAY BE ETCHED OR LABELED.

A