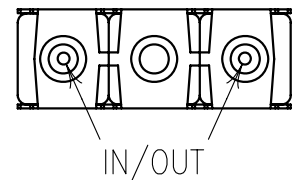
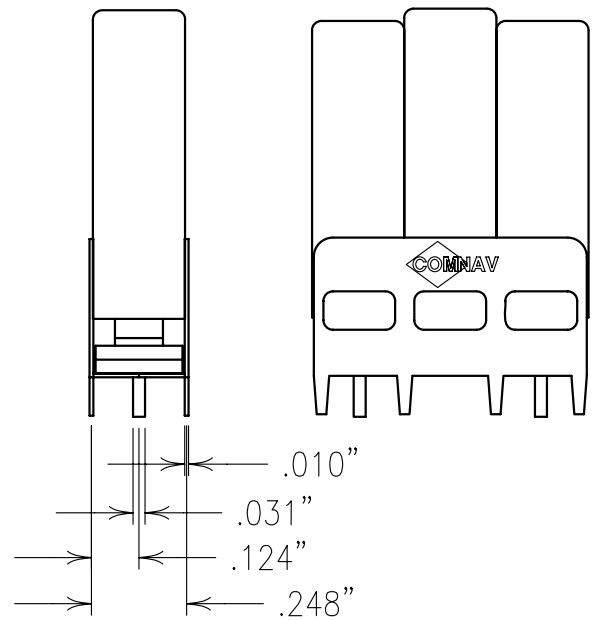
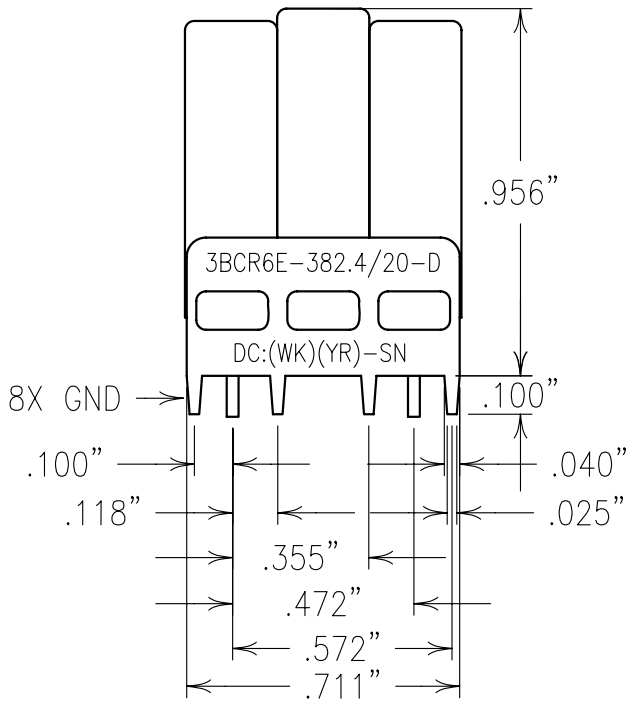


2

1



ELECTRICAL CHARACTERISTICS

CENTER FREQUENCY:	381.4 MHz
PASSBAND:	371.4-391.4 MHz
MAX INSERTION LOSS:	3 dB
MAX PASSBAND RIPPLE:	2 dB
MINIMUM ATTENUATION (WRT LOSS @ FO)	
FO + 30 MHz:	20 dB
FO - 30 MHz:	25 dB
IMPEDANCE:	50 OHMS
OPERATING TEMP.:	-30 TO +80°C

COPY

NOTES:

Confidential and Proprietary information of ComNav Engineering Inc. Do Not Duplicate or Use Without Permission. ComNav Engineering Inc. claims Copyright in this document as of the Creation, last revision, and last updated dates. All Rights Reserved.

ENGLISH / METRIC ENGLISH	CHECKED BY				
TOLERANCES UNLESS OTHERWISE SPECIFIED	DRAWN BY	A	23AUG06	KJR	DEV.
MACHINED SURFACES TO BE 125/ OR BETTER	ENGINEER	II	15AUG06	KJR	DEV.
REMOVE ALL BURRS	KJR	REV	DATE	BY	DCN No.
					REMARKS

ENGLISH (INCHES)	METRIC (MM)	SCALE	APPLIC:
.XX ±.02	.X ±.25	2:1	CERAMIC COAXIAL FILTER
.XXX ±.010	.XX ±.13	DATE	TITLE:
ANGLES ± 0° 30'		23AUG06	3BCR6E-382.4/20-D

	FINISH: JACKET: NI/SILVER	DRAWING No.	SHEET OF 1 1
	RESONATOR: SILVER	0L0668	
	PINS: TIN PLATED BRASS		