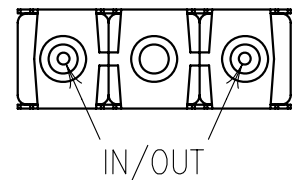
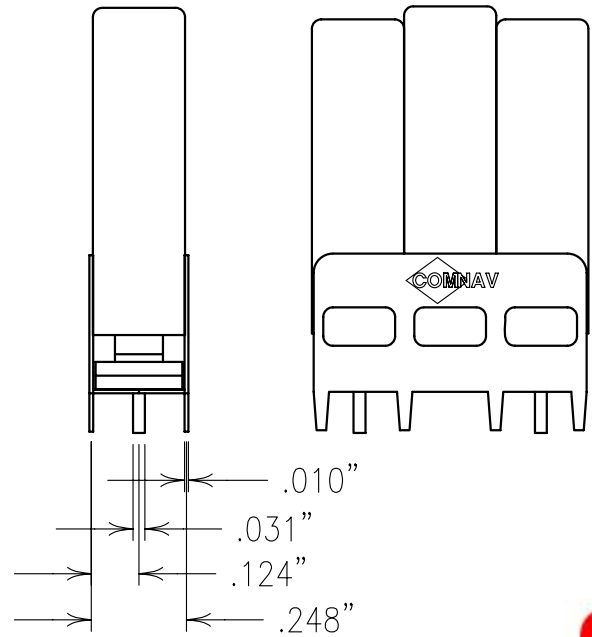
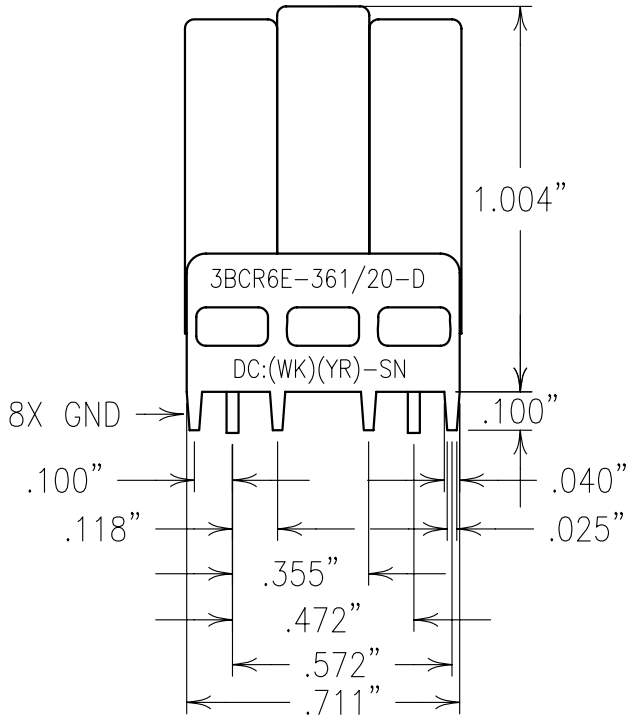


2

1



ELECTRICAL CHARACTERISTICS

CENTER FREQUENCY:	360 MHz
PASSBAND:	350-370 MHz
MAX INSERTION LOSS:	3 dB
MAX PASSBAND RIPPLE:	2 dB
MINIMUM ATTENUATION (WRT LOSS @ FO)	
FO + 30 MHz:	20 dB
FO - 30 MHz:	25 dB
IMPEDANCE:	50 OHMS
OPERATING TEMP.:	-30 TO +80°C

COPY

NOTES:

Confidential and Proprietary information of ComNav Engineering Inc. Do Not Duplicate or Use Without Permission. ComNav Engineering Inc. claims Copyright in this document as of the Creation, last revision, and last updated dates. All Rights Reserved.

ENGLISH / METRIC ENGLISH	CHECKED BY						
TOLERANCES UNLESS OTHERWISE SPECIFIED MACHINED SURFACES TO BE 125/ OR BETTER REMOVE ALL BURRS	DRAWN BY PBF	A	23AUG06	KJR	DEV.	GEN. REV. PER 2559	
	ENGINEER KJR	II	15AUG06	KJR	DEV.	INI. ISS. PER 1936	
		REV	DATE	BY	DCN No.	REMARKS	
ENGLISH (INCHES) .XX ±.02 .XXX ±.010	METRIC (MM) .X ±.25 .XX ±.13	SCALE 2:1	APPLIC: CERAMIC COAXIAL FILTER				
ANGLES ± 0° 30'	DATE 23AUG06	TITLE: 3BCR6E-361/20-D					
	FINISH: JACKET: NI/SILVER RESONATOR: SILVER PINS: TIN PLATED BRASS				DRAWING No. OL0667	SHEET OF 1 1	