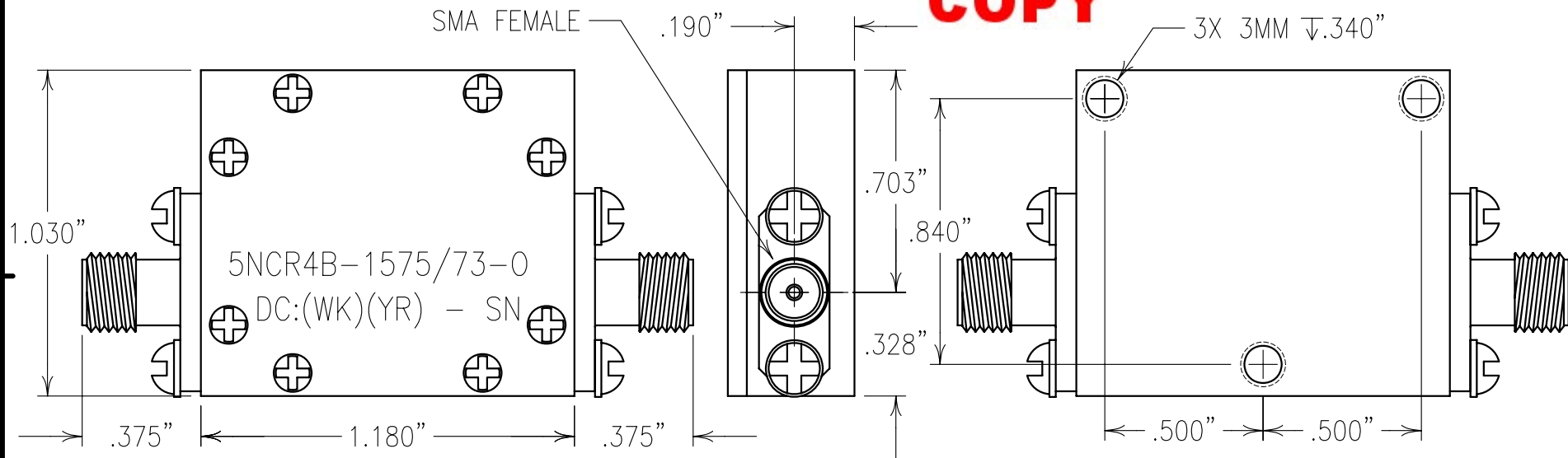


ELECTRICAL CHARACTERISTICS	
PASSBANDS:	1300-1420 MHz 1620-1720 MHz
INSERTION LOSS:	1.1 dBc @ 1300-1450 MHz 1.7 dBc @ 1620-1645 MHz 1.1 dBc @ 1650-1720 MHz
PB RETURN LOSS:	1.7:1 TYP.
REJECTION:	72 dBc MIN @ 1573-1578 MHz 65 dBc MIN @ 1570-1580 MHz 45 dBc MIN @ 1565-1570 MHz 40 dBc MIN @ 1580-1584 MHz

**COPY**



Confidential and Proprietary information of ComNav Engineering Inc. Do Not Duplicate or Use Without Permission. ComNav Engineering Inc. claims Copyright in this document as of the Creation, last revision, and last updated dates. All Rights Reserved.

ENGLISH / METRIC		CHECKED BY					
ENGLISH		DRAWN BY		A	07DEC06	KJR	DEV.
TOLERANCES UNLESS OTHERWISE SPECIFIED		PBF		II	07AUG06	KJR	DEV.
MACHINED SURFACES TO BE 125 / OR BETTER		ENGINEER		REV	DATE	BY	DCN No.
REMOVE ALL BURRS		KJR		REMARKS			
ENGLISH (INCHES)	METRIC (MM)	SCALE		APPLIC:			
.XX ±.01	.X ±.2	2:1		CERAMIC COAXIAL FILTER			
.XXX ±.005	.XX ±.13	DATE		TITLE:			
ANGLES ± 0° 30'		07DEC06		5NCR4B-1575/73-0			
MATERIAL: COVER: ALUMINUM BASE: ALUMINUM				DRAWING No.		SHEET OF	
FINISH: COVER: NICKEL PLATED BASE: NICKEL PLATED				0L0665		1 1	

NOTES:

B

A