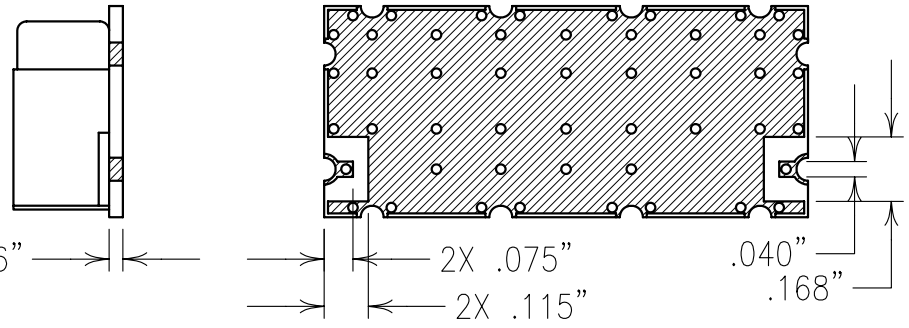
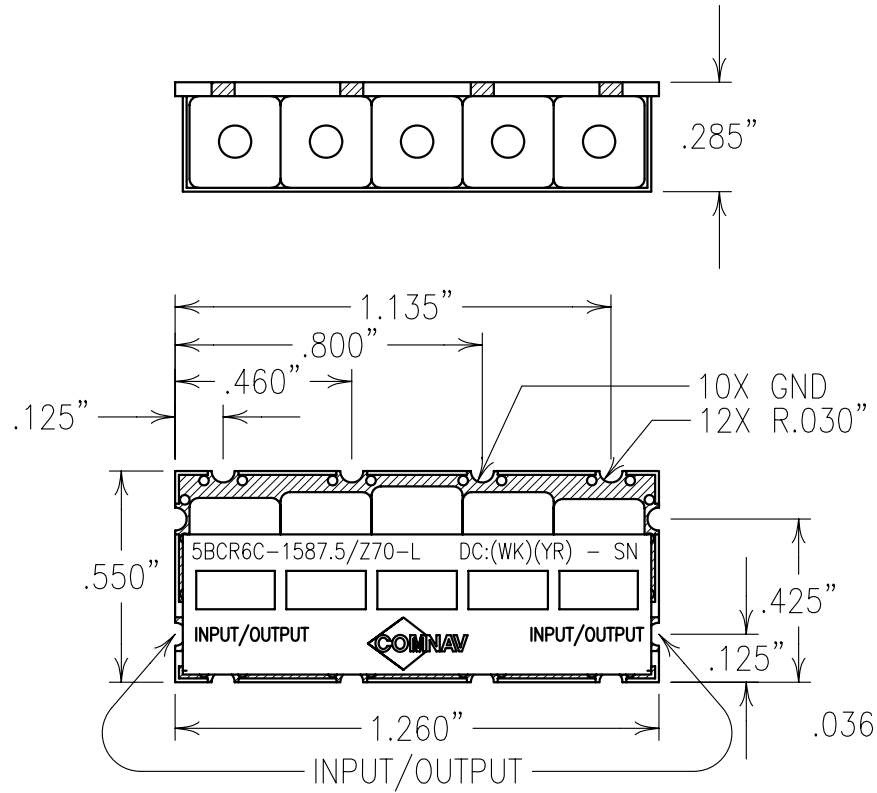


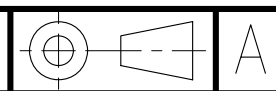
ELECTRICAL CHARACTERISTICS

CENTER FREQUENCY:	1587.5 MHz
PASSBAND:	1565-1610 MHz
INSERTION LOSS:	<1.5 dB
PASSBAND FLATNESS:	<0.7 dB
VSWR:	1.5:1 TYP
REJECTION:	
750-1315 MHz:	>30 dBc
1525 MHz:	>15 dBc
1626.5 MHz:	>20 dBc
2000-3000 MHz:	>30 dBc

COPY



Confidential and Proprietary information of ComNav Engineering Inc. Do Not Duplicate or Use Without Permission. ComNav Engineering Inc. claims Copyright in this document as of the Creation, last revision, and last updated dates. All Rights Reserved.



NOTES:

RECOMMENDED ATTACHMENT METHOD: SILVER EPOXY OR REFLOW NOT TO EXCEED AS INDICATED BELOW:
 TEMP.(°C) MAX.TIME(SEC)
 215 90
 230 60
 245 30
 260 15

FILTER IS ROHS COMPLIANT.
 FILTER MAY BE LABELED OR ETCHED.

ENGLISH / METRIC ENGLISH	CHECKED BY				
TOLERANCES UNLESS OTHERWISE SPECIFIED MACHINED SURFACES TO BE 125 OR BETTER REMOVE ALL BURRS	DRAWN BY PBF				
ENGLISH (INCHES) .XX ±.02 .XXX ±.01	ENGINEER KJR	REV II	DATE 07JUL06	BY KJR	DCN No. DEV.
METRIC (MM) .X ±.25 .XX ±.13	SCALE 2:1	APPLIC: CERAMIC COAXIAL FILTER			
ANGLES ± 0° 30'	DATE 12JUL06	TITLE: 5BCR6C-1587.5/Z70-L			
COMNAV ENGINEERING INC.	FINISH: BOARD: NI/AU JACKET: NI/SILVER RESONATOR: SILVER	DRAWING No. OL0662			SHEET/OF 1/1