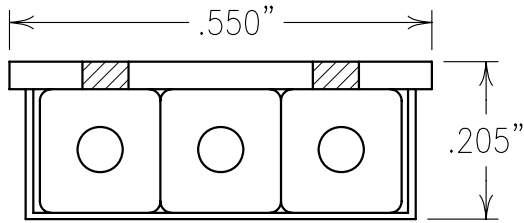


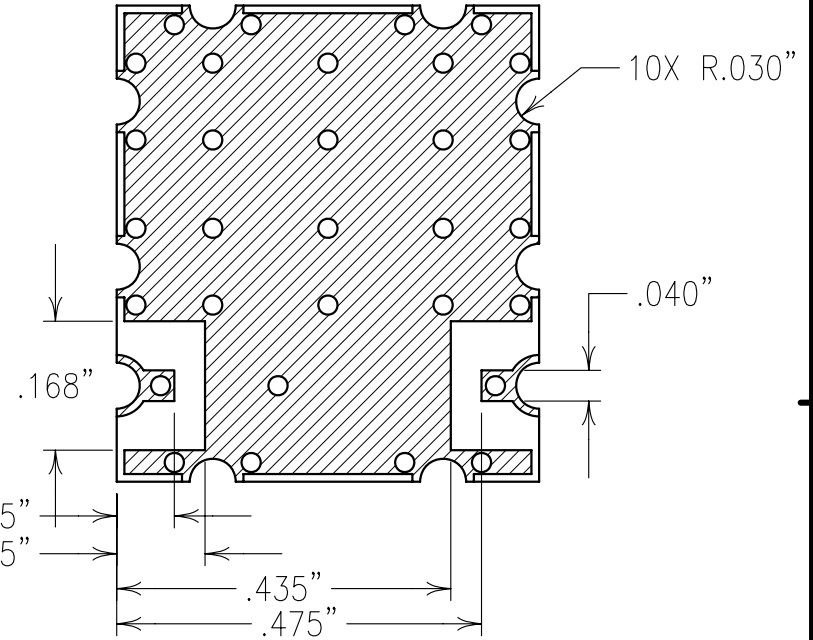
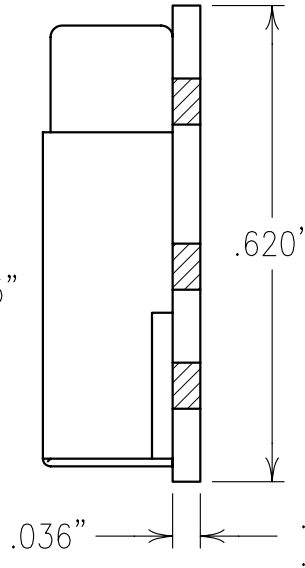
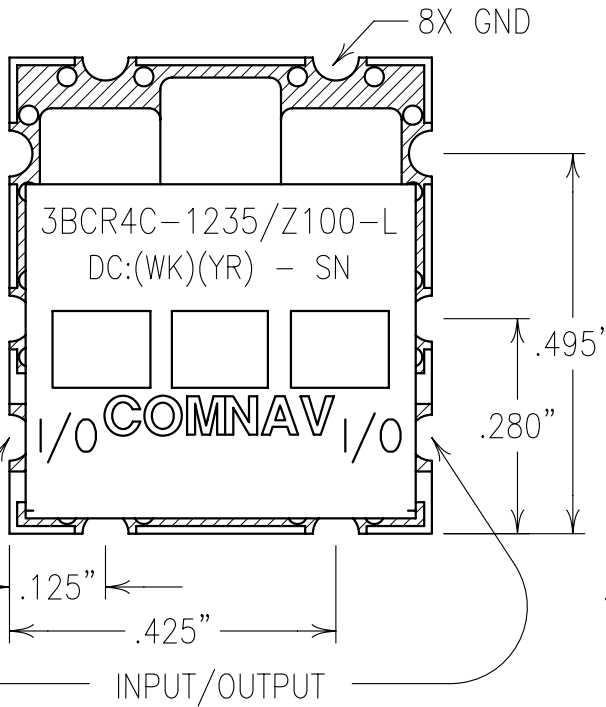
2

1



**COPY**

ELECTRICAL CHARACTERISTICS	
CENTER FREQUENCY:	1235 MHz
PASSBAND:	1217-1253 MHz
INSERTION LOSS:	<1.0 dB
PASSBAND FLATNESS:	<0.5 dB
VSWR:	1.5:1 TYP
REJECTION:	
750-950 MHz:	>25 dBc
1315-3000 MHz:	>25 dBc



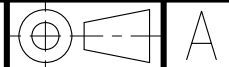
NOTES:

RECOMMENDED ATTACHMENT METHOD: SILVER EPOXY OR REFLOW NOT TO EXCEED AS INDICATED BELOW:  
TEMP.(°C) MAX. TIME(SEC)

215	90
230	60
245	30
260	15

FILTER MAY BE LABELED OR ETCHED.  
FILTER IS ROHS COMPLIANT.

Confidential and Proprietary information of ComNav Engineering Inc. Do Not Duplicate or Use Without Permission. ComNav Engineering Inc. claims Copyright in this document as of the Creation, last revision, and last updated dates. All Rights Reserved.



ENGLISH / METRIC ENGLISH	CHECKED BY				
TOLERANCES UNLESS OTHERWISE SPECIFIED	DRAWN BY				
MACHINED SURFACES TO BE 125 / OR BETTER	ENGINEER	II	07JUL06	KJR	DEV.
REMOVE ALL BURRS	ENGINEER	KJR	REV	DATE	BY DCN No.
ENGLISH (INCHES)	METRIC (MM)	SCALE	APPLIC: CERAMIC COAXIAL FILTER		
.XX ±.02	.X ±.25	4:1	TITLE: 3BCR4C-1235/Z100-L		
.XXX ±.010	.XX ±.13	DATE	12JUL06		
ANGLES ± 0° 30'					
FINISH: BOARD: NI/GOLD JACKET: NI/SILVER RESONATOR: SILVER		DRAWING No.		SHEET OF	
COMNAV ENGINEERING INC.		0L0661		1 1	