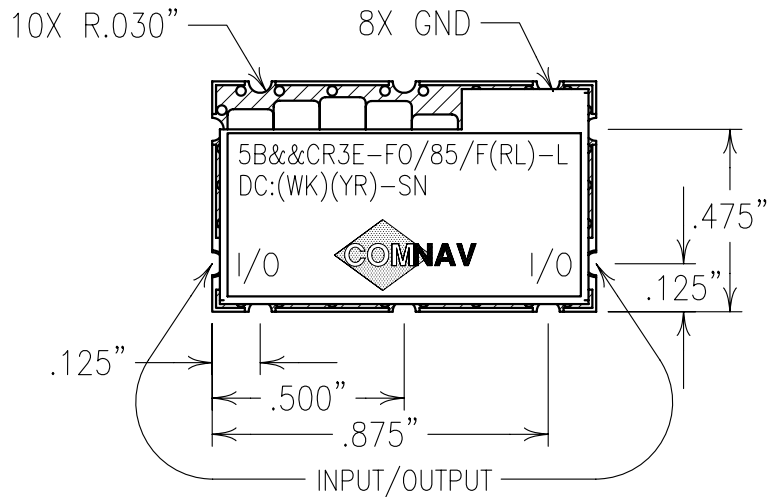
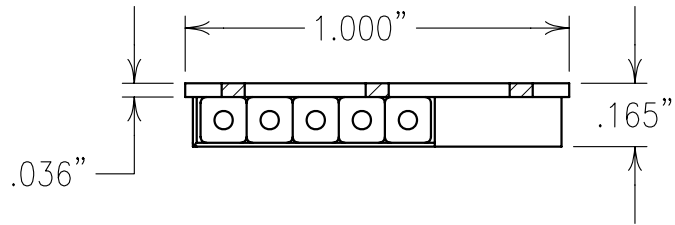
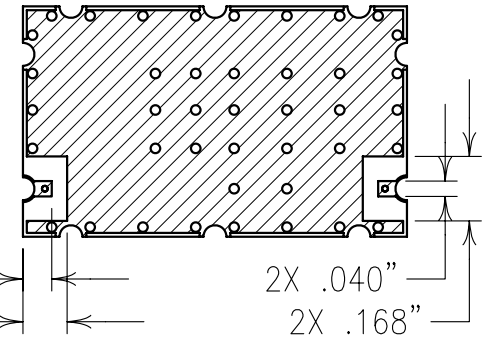
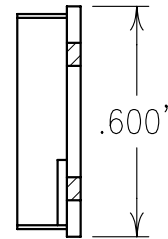


COPY



ELECTRICAL CHARACTERISTICS

	5BHLCR3E- 972/85/1089-L	5BLLCR3E- 1089/85/972-L
CENTER FREQUENCY:	972 MHz	1089 MHz
3 dB BANDWIDTH:	85 MHz NOM	85 MHz NOM
PASSBAND:	940-1004 MHz	1057-1121 MHz
PASSBAND LOSS:	<2.2 dB	<2.2 dB
PASSBAND FLATNESS:	0.6 dB	0.6 dB
PASSBAND DELAY VAR:	<5.0 NSEC	<5.0 NSEC
RETURN LOSS:	15 dB	15 dB
S11:	940-1004 & 1057-1121 MHz	940-1004 & 1057-1121 MHz
S22:	940-1004 MHz	1057-1121 MHz
REJECTION:		
>20 dBc:	1030-1057 MHz	1004-1030 MHz
>35 dBc:	DC-880 MHz	1180-2000 MHz
>40 dBc:	1057-1121 MHz	940-1004 MHz



NOTES:
 RECOMMENDED ATTACHMENT METHOD:
 SILVER EPOXY OR REFLOW NOT TO
 EXCEED AS INDICATED BELOW:
 TEMP.(°C) MAX.TIME(SEC)
 215 90
 230 60
 245 30
 260 15
 FILTER IS ROHS COMPLIANT.
 FILTER MAY BE LABELED OR ETCHED.

Confidential and Proprietary information of ComNav Engineering Inc. Do Not Duplicate or Use Without Permission. ComNav Engineering Inc. claims Copyright in this document as of the Creation, last revision, and last updated dates. All Rights Reserved.

ENGLISH / METRIC ENGLISH	CHECKED BY								
TOLERANCES UNLESS OTHERWISE SPECIFIED	DRAWN BY								
MACHINED SURFACES TO BE 125 OR BETTER	ENGINEER	II	01JUN06	MJG	DEV.				INI. ISS. PER 2529
REMOVE ALL BURRS	MJG	REV	DATE	BY	DCN No.				REMARKS
ENGLISH (INCHES)	METRIC (MM)	SCALE	APPLIC: COAXIAL FILTER						
.XX ±.02	.X ±.25	2:1	TITLE: 5B&&CR3E-F0/85/F(RL)-L						
.XXX ±.010	.XX ±.13	DATE	19JUN06						
ANGLES ± 0° 30'		FINISH:	BOARD: NI/AU PLATED COPPER			DRAWING No.		SHEET OF 1 1	
			JACKET: NI/SILVER			0L0652			
			RESONATOR: SILVER						