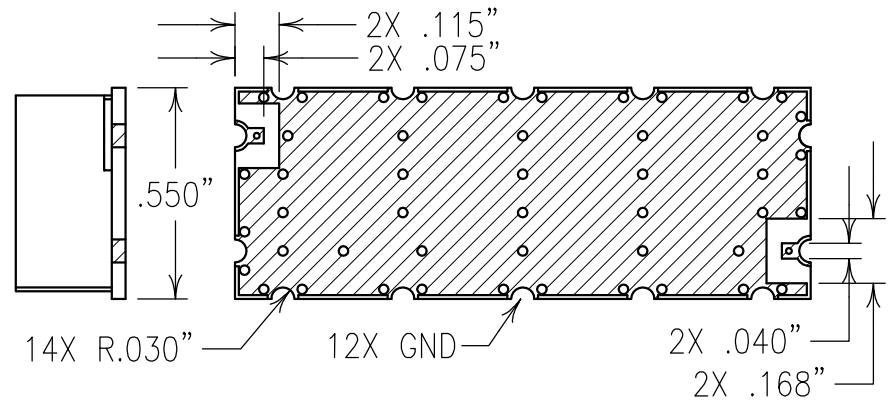
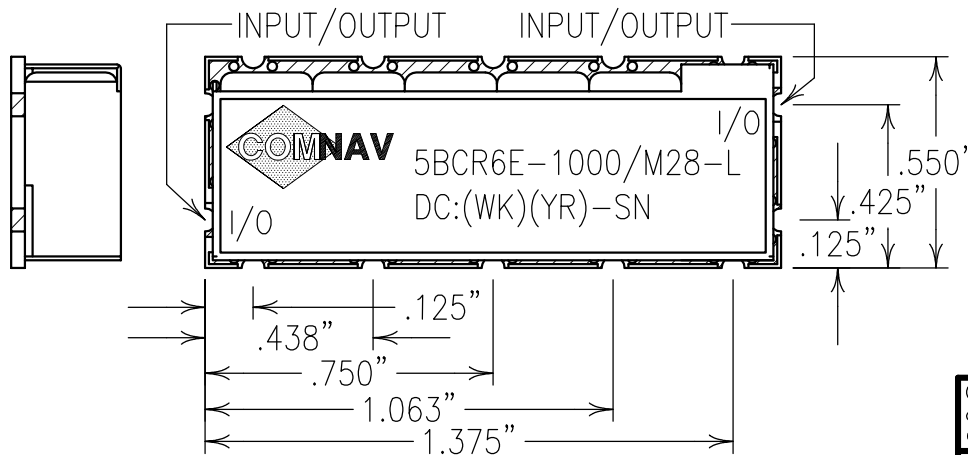
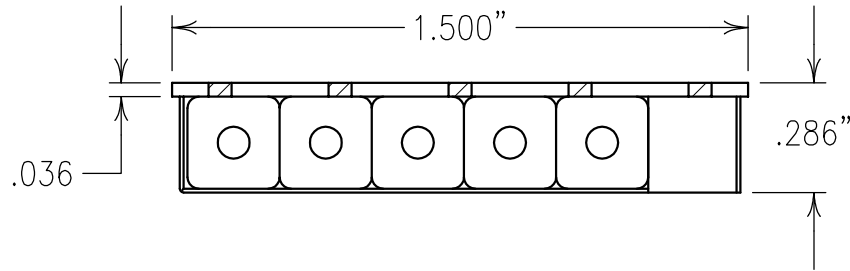


COPY

ELECTRICAL CHARACTERISTICS

CENTER FREQUENCY: 1000 MHz
 PASSBAND: 989-1011 MHz
 LOSS @ F0: <3.5 dB
 PASSBAND FLATNESS: <1.25 dB
 PASSBAND VSWR: <1.7:1
 40 dBc REJECTION: 875-965, 1035-1125 MHz
 55 dBc REJECTION: 1500-2000, 3600-5000 MHz
 60 dBc REJECTION: DC-875, 1125-1500, 2000-3600 MHz
 OPERATING TEMP.: -55° TO +90°C
 GAIN MATCHING OVER LOT: 4 dB
 GAIN MATCHING OVER SET: 2 dB
 GAIN TRACKING OVER LOT: 1 dB
 GAIN TRACKING OVER SET: 0.6 dB
 PHASE MATCHING OVER LOT: 40°
 PHASE MATCHING OVER SET: 20°
 PHASE TRACKING OVER LOT: 16°
 PHASE TRACKING OVER SET: 8°



NOTES:
 RECOMMENDED ATTACHMENT METHOD: SILVER EPOXY OR REFLOW NOT TO EXCEED AS INDICATED BELOW:
 TEMP.(°C) MAX.TIME(SEC)
 215 90
 230 60
 245 30
 260 15

A SET IS 4 FILTERS DESIGNATED BY SERIAL NUMBER WHEN PACKED.
 TRY TO IMPROVE PHASE MATCHING IF POSSIBLE.
 FILTER IS ROHS COMPLIANT.
 FILTER MAY BE LABELED OR ETCHED.

Confidential and Proprietary information of ComNav Engineering Inc. Do Not Duplicate or Use Without Permission. ComNav Engineering Inc. claims Copyright in this document as of the Creation, last revision, and last updated dates. All Rights Reserved.						
ENGLISH / METRIC ENGLISH	CHECKED BY	B	02SEP08	KJR	DEV.	GEN. REV. PER 2919
TOLERANCES UNLESS OTHERWISE SPECIFIED MACHINED SURFACES TO BE 125 / OR BETTER REMOVE ALL BURRS	DRAWN BY PBF	A	15AUG06	KJR	DEV.	GEN. REV. PER 2552
ENGLISH / METRIC (INCHES) (MM)	ENGINEER	II	25APR06	KJR	DEV.	INI. ISS. PER 2517
.XX ±.02 .XXX ±.010	KJR	REV	DATE	BY	DCN No.	REMARKS
ANGLES ± 0° 30'	SCALE 2:1	APPLIC: COAXIAL FILTER				
	DATE 27OCT08	TITLE: 5BCR6E-1000/M28-L				
	FINISH: BOARD: NI/AU PLATED COPPER JACKET: NI/SILVER RESONATOR: SILVER	DRAWING No. OL0647			SHEET OF 1 1	