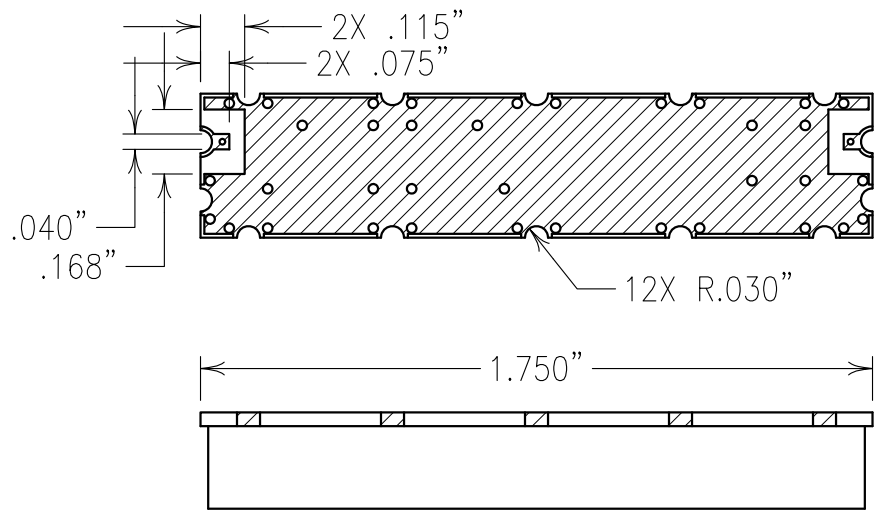


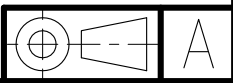
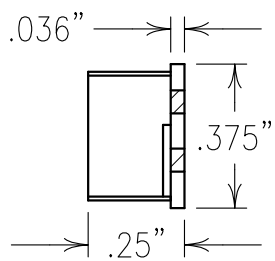
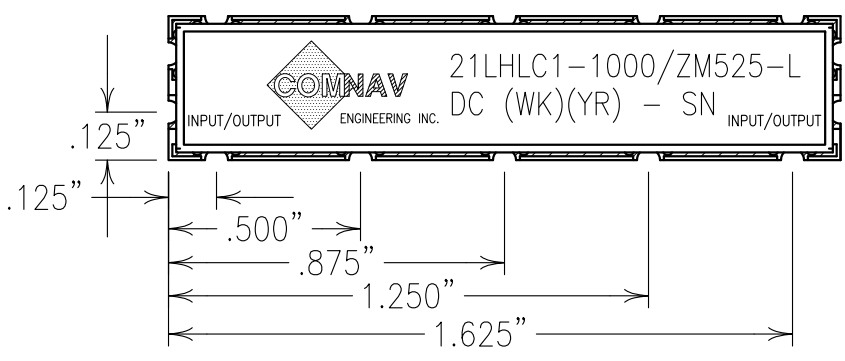
2

1



**COPY**

| ELECTRICAL CHARACTERISTICS |                            |
|----------------------------|----------------------------|
| CENTER FREQUENCY:          | 1000 MHz                   |
| PASSBAND:                  | 750-1250 MHz               |
| LOSS @ F0:                 | <1.25                      |
| PASSBAND FLATNESS:         | <2.0 dB                    |
| PASSBAND VSWR:             | <1.7:1                     |
| 55 dBc REJECTION:          | DC->675,<br>1350->5000 MHz |
| OPERATING TEMP.:           | -55° TO +90°C              |
| GAIN MATCHING OVER LOT:    | 4 dB                       |
| GAIN MATCHING OVER SET:    | 2 dB                       |
| GAIN TRACKING OVER LOT:    | 1.25 dB                    |
| GAIN TRACKING OVER SET:    | 0.75 dB                    |
| PHASE MATCHING OVER LOT:   | 40°                        |
| PHASE MATCHING OVER SET:   | 20°                        |
| PHASE TRACKING OVER LOT:   | 16°                        |
| PHASE TRACKING OVER SET:   | 8°                         |



Confidential and Proprietary information of ComNav Engineering Inc. Do Not Duplicate or Use Without Permission. ComNav Engineering Inc. claims Copyright in this document as of the Creation, last revision, and last updated dates. All Rights Reserved.

NOTES:  
 RECOMMENDED ATTACHMENT METHOD: SILVER EPOXY OR REFLOW NOT TO EXCEED AS INDICATED BELOW:  
 TEMP.(°C) MAX.TIME(SEC)

|     |    |  |
|-----|----|--|
| 215 | 90 | TRY TO IMPROVE PHASE MATCHING IF POSSIBLE. |
| 230 | 60 |  |
| 245 | 30 |  |
| 260 | 15 |  |

A SET IS 4 FILTERS DESIGNATED BY SERIAL NUMBER WHEN PACKED.  
 FILTER IS ROHS COMPLIANT.  
 FILTER MAY BE LABELED OR ETCHED.

| ENGLISH / METRIC                       | CHECKED BY  | C   | 21JUL15     | EJG | DEV.    | GEN. REV. PER 3933 |
|--|-------------|---|-------------|-----|---------|--------------------|
| ENGLISH                                | DRAWN BY    | B   | 02SEP08     | KJR | DEV.    | GEN. REV. PER 2919 |
| TOLERANCES UNLESS OTHERWISE SPECIFIED  | ENGINEER    | A   | 10AUG06     | KJR | DEV.    | GEN. REV. PER 2550 |
| MACHINED SURFACES TO BE 125/ OR BETTER | REVISION    | REV   | DATE        | BY  | DCN No. | REMARKS            |
| REMOVE ALL BURRS                       | SCALE       | APPLIC: CHIP AND WIRE COAXIAL FILTER        |             |     |         |                    |
| ENGLISH (INCHES)                       | METRIC (MM) | TITLE: 21LHLC1-1000/ZM525-L                 |             |     |         |                    |
| .XX ±.02                               | .X ±.50     | DATE  | DRAWING No. |     |         | SHEET OF           |
| .XXX ±.010                             | .XX ±.25    | 28JUL15                                     | 010646      |     |         | 1 1                |
| ANGLES ± 0° 30'                        | FINISH:     | BOARD: NICKEL/GOLD<br>JACKET: NICKEL/SILVER |             |     |         |                    |