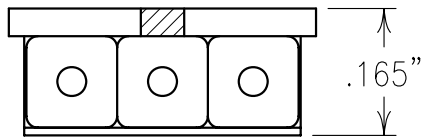


2

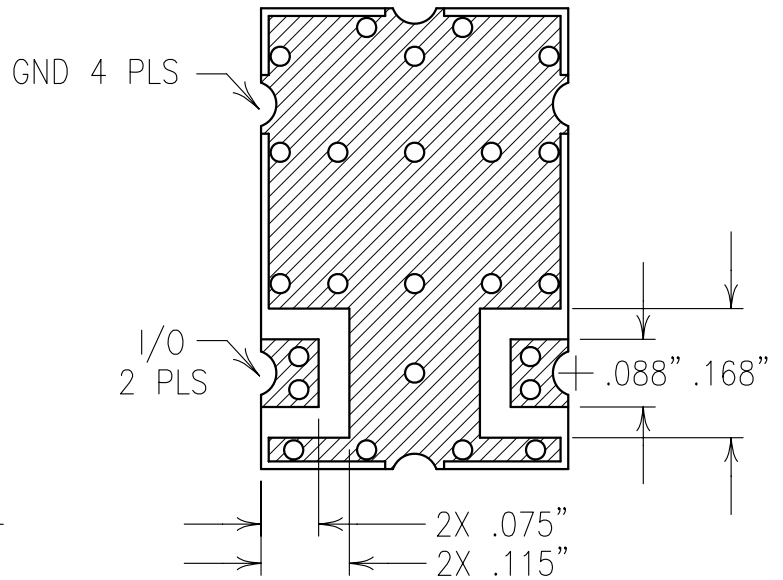
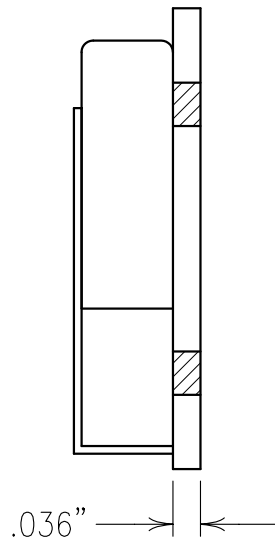
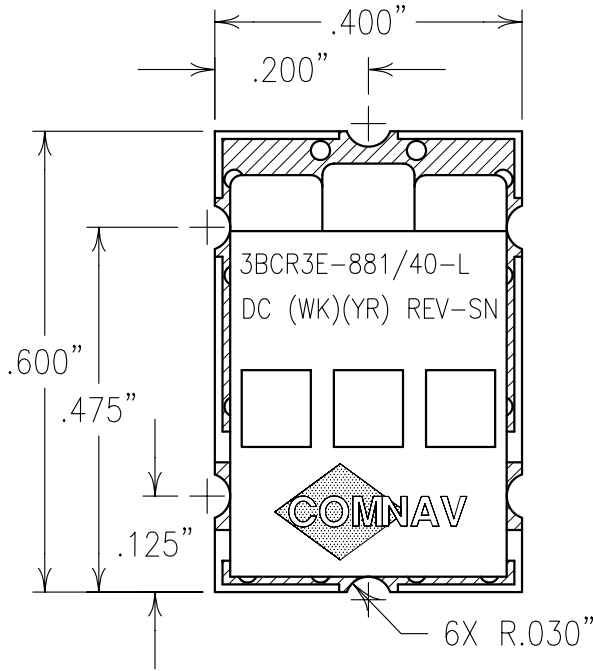
1



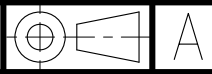
COPY

ELECTRICAL CHARACTERISTICS

CENTER FREQUENCY: 881 MHz
 PASSBAND: 868-894 MHz
 PASSBAND LOSS: <1.4 dB
 REJECTION:
 55 dBa: 1610-1650 MHz



Confidential and Proprietary information of ComNav Engineering Inc. Do Not Duplicate or Use Without Permission. ComNav Engineering Inc. claims Copyright in this document as of the Creation, last revision, and last updated dates. All Rights Reserved.



NOTES:

FOR RECOMMENDED FOOTPRINT SEE FP0081.
 RECOMMENDED ATTACHMENT METHOD: SILVER EPOXY
 OR REFLOW NOT TO EXCEED AS INDICATED BELOW:
 TEMP.(°C)MAX.TIME(SEC)
 215 90
 230 60
 245 30
 260 15

FILTER MAY BE LABELED OR ETCHED.
 FILTER IS ROHS COMPLIANT.

ENGLISH / METRIC ENGLISH	CHECKED BY				
TOLERANCES UNLESS OTHERWISE SPECIFIED	DRAWN BY	A	08JUN06	KJR	DEV.
MACHINED SURFACES TO BE 125 / OR BETTER	ENGINEER	II	01MAR06	KJR	DEV.
REMOVE ALL BURRS	REV		DATE	BY	DCN No.
ENGLISH (INCHES)	METRIC (MM)	SCALE	APPLIC: CERAMIC COAXIAL FILTER		
.XX ±.02 .XXX ±.010	.X ±.50 .XX ±.25	4:1	TITLE: 3BCR3E-881/40-L		
ANGLES ± 0° 30'	DATE	12JUN06	DRAWING No. 010638		
	FINISH: BOARD: NI/AU PLATED COPPER JACKET: NI/SILVER RESONATOR: SILVER	DRAWING No. 010638		SHEET OF 1 1	