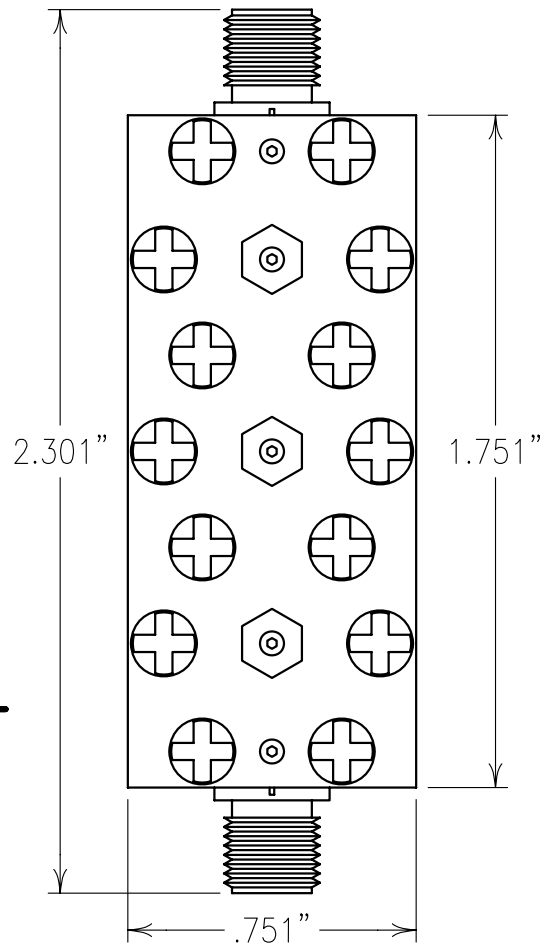


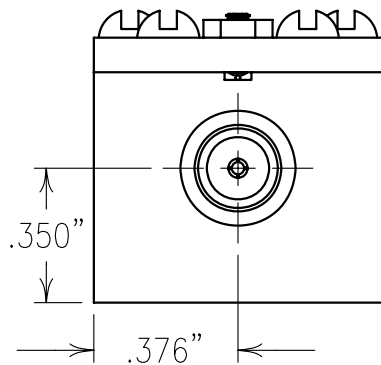
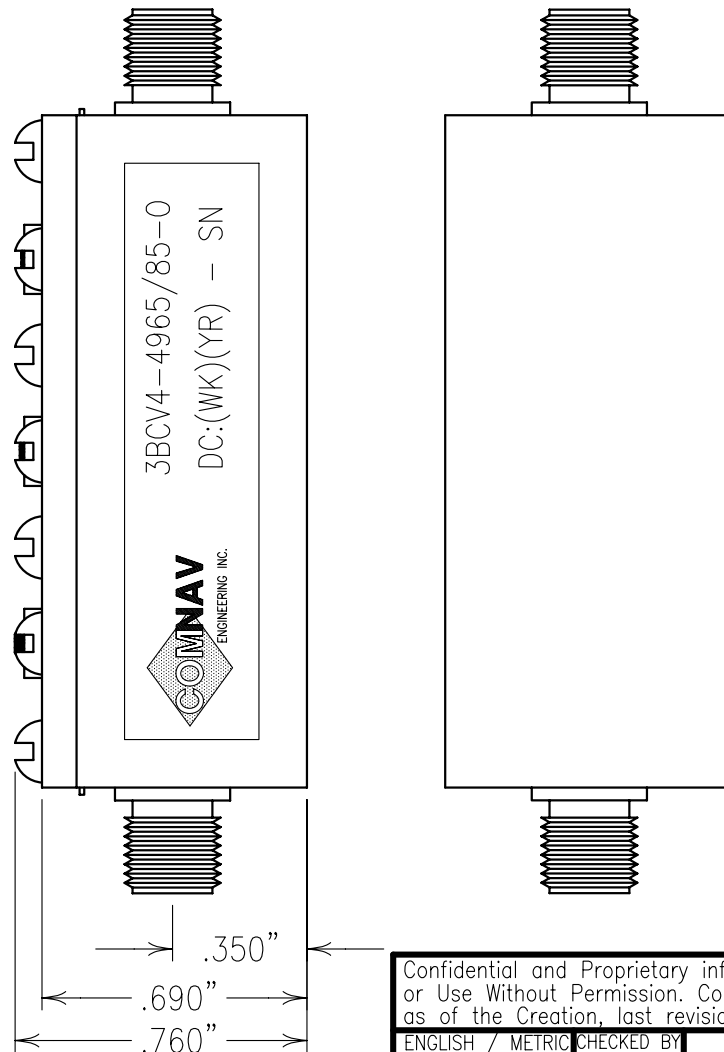
2

1



ELECTRICAL CHARACTERISTICS	
CENTER FREQUENCY:	4965 MHz
PASSBAND:	4940-4990 MHz
PB INSERTION LOSS:	1.0 dB MAX
VSWR:	1.7:1 TYP
REJECTION:	45 dBc @ 4680 & 5250 MHz
OPERATING TEMP:	-40 TO +85°C
IMPEDANCE:	50 OHMS IN/OUT
POWER:	10 WATTS

**COPY**



NOTES:  
CONNECTORS ARE BOTH SMA.  
FILTER IS ROHS COMPLIANT.

Confidential and Proprietary information of ComNav Engineering Inc. Do Not Duplicate or Use Without Permission. ComNav Engineering Inc. claims Copyright in this document as of the Creation, last revision, and last updated dates. All Rights Reserved.

ENGLISH / METRIC ENGLISH	CHECKED BY				
TOLERANCES UNLESS OTHERWISE SPECIFIED MACHINED SURFACES TO BE 125 / OR BETTER REMOVE ALL BURRS	DRAWN BY PBF				
	ENGINEER MJG	II	24FEB06	MJG	DEV. INI. ISS. PER 2494
		REV	DATE	BY	DCN No. REMARKS

ENGLISH (INCHES) .XX ±.01 .XXX ±.005	METRIC (MM) .X ±.2 .XX ±.13	SCALE 2:1	APPLIC: CERAMIC COAXIAL FILTER
ANGLES ± 0° 30'	DATE 03MAR06	TITLE: 3BCV4-4965/85-0	

MATERIAL: COVER: ALUMINUM BASE: ALUMINUM	DRAWING No. 0L0637	SHEET OF 1 1
FINISH: COVER: YELLOW IRRIDITE BASE: YELLOW IRRIDITE		

