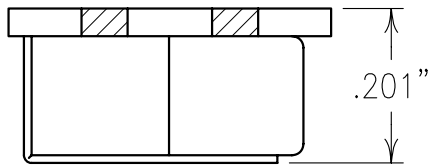


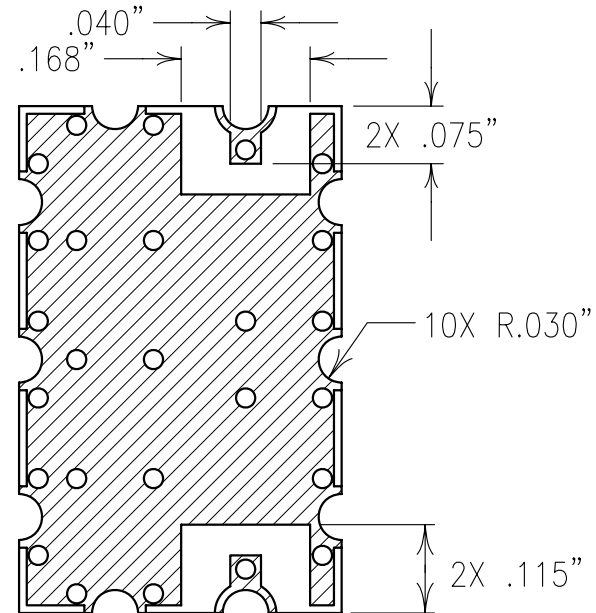
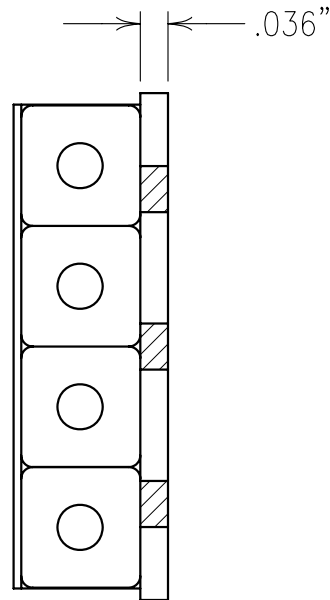
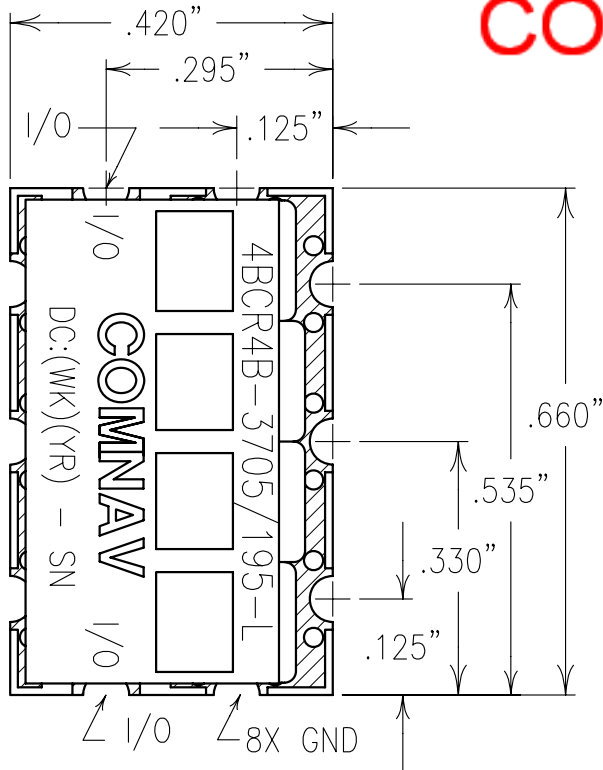
2

1



ELECTRICAL CHARACTERISTICS	
CENTER FREQUENCY:	3705 MHz
PASSBAND:	3630-3780 MHz
PASSBAND VARIATION:	0.5 dB MAX
PASSBAND INSERTION LOSS:	1.5 dB MAX
PASSBAND VSWR:	1.5:1
PASSBAND GROUP DELAY:	<0.5 NS PK-PK
REJECTION:	40 dBc MIN @ 500-2400 MHz
	35 dBc MIN @ 2401-3430 MHz
	20 dBc MIN @ 3530 MHz
	20 dBc MIN @ 3880 MHz
	35 dBc MIN @ 3980-7200 MHz
	15 dBc MIN @ 7201-10000 MHz

COPY



NOTES:

RECOMMENDED ATTACHMENT METHOD: SILVER EPOXY  
OR REFLOW NOT TO EXCEED AS INDICATED BELOW:  
TEMP.(°C) MAX. TIME(SEC)

215	90
230	60
245	30
260	15

FILTER MAY BE LABELED OR ETCHED.  
FILTER IS ROHS COMPLIANT.

Confidential and Proprietary information of ComNav Engineering Inc. Do Not Duplicate or Use Without Permission. ComNav Engineering Inc. claims Copyright in this document as of the Creation, last revision, and last updated dates. All Rights Reserved.

ENGLISH / METRIC ENGLISH	CHECKED BY						
TOLERANCES UNLESS OTHERWISE SPECIFIED	DRAWN BY PBF						
MACHINED SURFACES TO BE 125 / OR BETTER	ENGINEER KJR	II	23FEB06	KJR	DEV.	INI. ISS. PER 2493	
REMOVE ALL BURRS	SCALE 4:1	REV	DATE	BY	DCN No.	REMARKS	
ENGLISH (INCHES) .XX ±.02 .XXX ±.010	METRIC (MM) .X ±.25 .XX ±.13	DATE 23FEB06	APPLIC: CERAMIC COAXIAL FILTER	TITLE: 4BCR4B-3705/195-L	DRAWING No. 0L0635	SHEET OF 1 1	
ANGLES ± 0° 30'	FINISH: BOARD: NI/GOLD JACKET: NI/SILVER RESONATOR: SILVER						