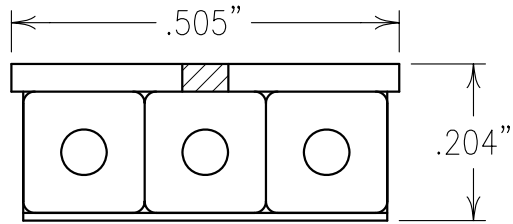


2

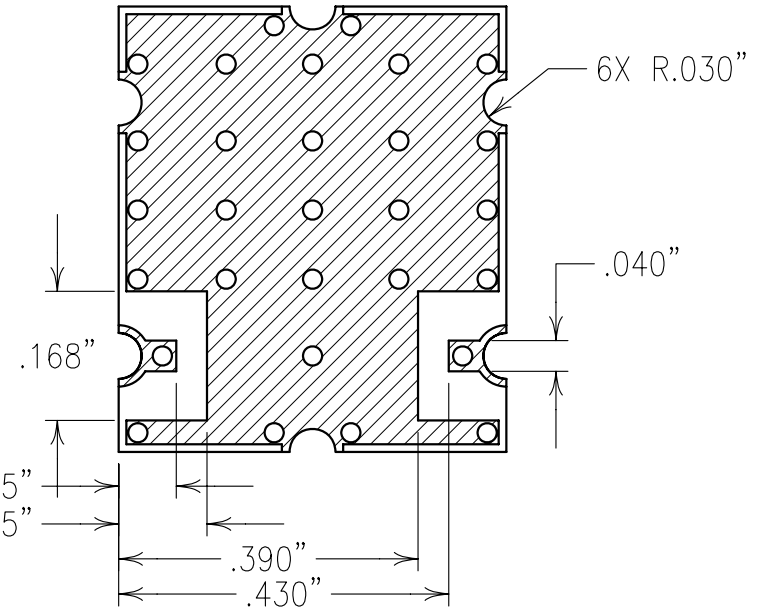
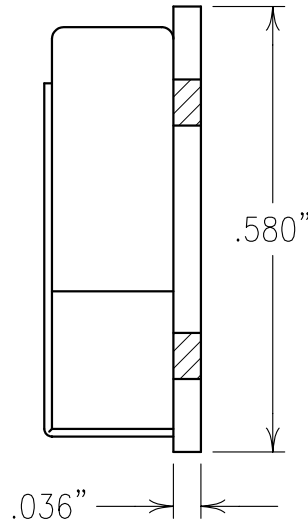
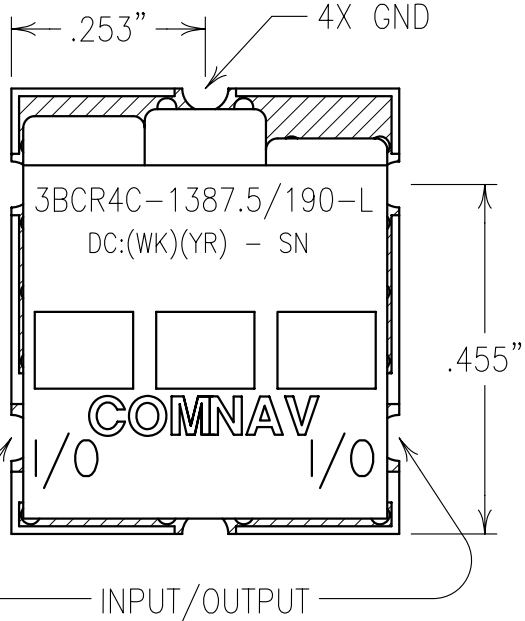
1



ELECTRICAL CHARACTERISTICS

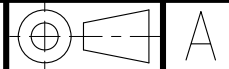
CENTER FREQUENCY: 1387.5 MHz
 PASSBAND: 1325-1450 MHz
 PASSBAND VARIATION: 0.5 dB MAX
 PASSBAND INSERTION LOSS: 0.75 dB MAX
 PASSBAND VSWR: 1.7:1
 PASSBAND GROUP DELAY: <3.0 NS PK-PK

REJECTION:
 40 dBc MIN @ 100-1074 MHz
 25 dBc MIN @ 1075-1200 MHz
 40 dBc MIN @ 2000-2500 MHz



COPY

Confidential and Proprietary information of ComNav Engineering Inc. Do Not Duplicate or Use Without Permission. ComNav Engineering Inc. claims Copyright in this document as of the Creation, last revision, and last updated dates. All Rights Reserved.



NOTES:

RECOMMENDED ATTACHMENT METHOD: SILVER EPOXY OR REFLOW NOT TO EXCEED AS INDICATED BELOW:
 TEMP.(°C) MAX. TIME(SEC)

215	90
230	60
245	30
260	15

FILTER MAY BE LABELED OR ETCHED.
 FILTER IS ROHS COMPLIANT.

ENGLISH / METRIC ENGLISH	CHECKED BY					
TOLERANCES UNLESS OTHERWISE SPECIFIED	DRAWN BY	A	22FEB07	KJR	DEV.	GEN. REV. PER 2629
MACHINED SURFACES TO BE 125 / OR BETTER	ENGINEER	II	23FEB06	KJR	DEV.	INI. ISS. PER 2493
REMOVE ALL BURRS	KJR	REV	DATE	BY	DCN No.	REMARKS
ENGLISH (INCHES)	METRIC (MM)	SCALE	APPLIC: CERAMIC COAXIAL FILTER			
.XX ±.02	.X ±.25	DATE	TITLE: 3BCR4C-1387.5/190-L			
.XXX ±.010	.XX ±.13	26FEB07				
ANGLES ± 0° 30'	FINISH:		BOARD: NI/GOLD		DRAWING No.	
	COMNAV ENGINEERING INC		JACKET: NI/SILVER		010634	
			RESONATOR: SILVER		SHEET OF 1 1	