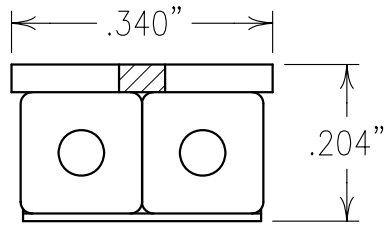


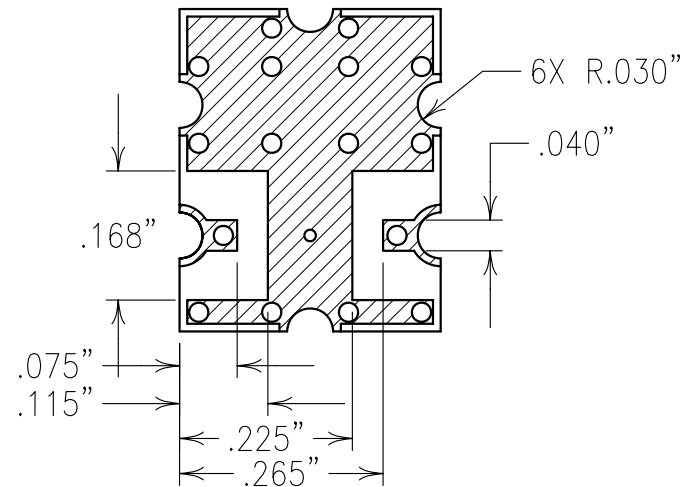
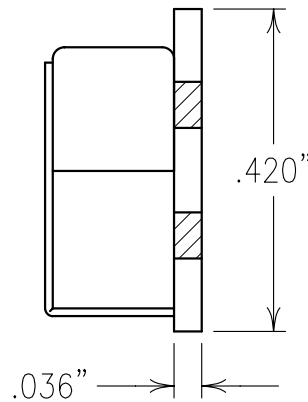
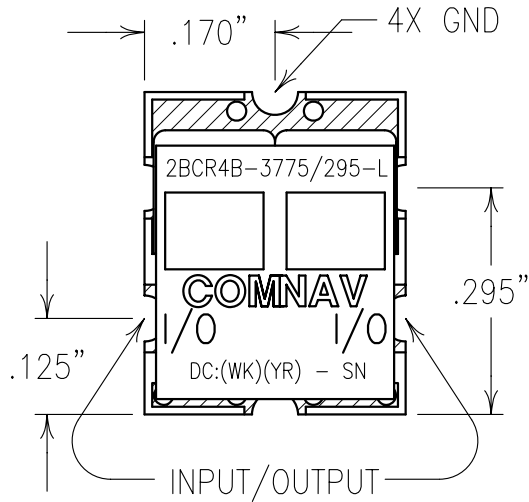
2

1



ELECTRICAL CHARACTERISTICS		
CENTER FREQUENCY:	3775 MHz	REJECTION:
PASSBAND:	3700-3850 MHz	40 dBc MIN @ 500-2400 MHz
PASSBAND VARIATION:	0.5 dB MAX	25 dBc MIN @ 4700-7200 MHz
PASSBAND INSERTION LOSS:	0.75 dB MAX	20 dBc MIN @ 7201-8000 MHz
PASSBAND VSWR:	1.7:1	
PASSBAND GROUP DELAY:	<1.0 NS PK-PK	

COPY



NOTES:

RECOMMENDED ATTACHMENT METHOD: SILVER EPOXY OR REFLOW NOT TO EXCEED AS INDICATED BELOW:
TEMP.(°C) MAX. TIME(SEC)

215	90
230	60
245	30
260	15

FILTER MAY BE LABELED OR ETCHED.
FILTER IS ROHS COMPLIANT.

Confidential and Proprietary information of ComNav Engineering Inc. Do Not Duplicate or Use Without Permission. ComNav Engineering Inc. claims Copyright in this document as of the Creation, last revision, and last updated dates. All Rights Reserved.

ENGLISH / METRIC ENGLISH	CHECKED BY					
TOLERANCES UNLESS OTHERWISE SPECIFIED	DRAWN BY	A	19JUL06	KJR	DEV.	GEN. REV. PER 2542
MACHINED SURFACES TO BE 125 OR BETTER	ENGINEER	II	23FEB06	KJR	DEV.	INI. ISS. PER 2493
REMOVE ALL BURRS	KJR	REV	DATE	BY	DCN No.	REMARKS
ENGLISH (INCHES)	METRIC (MM)	SCALE	APPLIC: CERAMIC COAXIAL FILTER			
.XX ±.02	.X ±.25	4:1	TITLE: 2BCR4B-3775/295-L			
.XXX ±.010	.XX ±.13	DATE	19JUL06			
ANGLES ± 0° 30'	FINISH:		BOARD: NI/GOLD		DRAWING No.	
	COMNAV ENGINEERING INC.		JACKET: NI/SILVER		010633	
			RESONATOR: SILVER		SHEET OF 1 1	