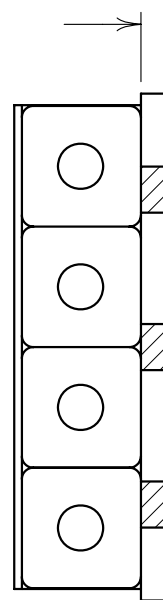
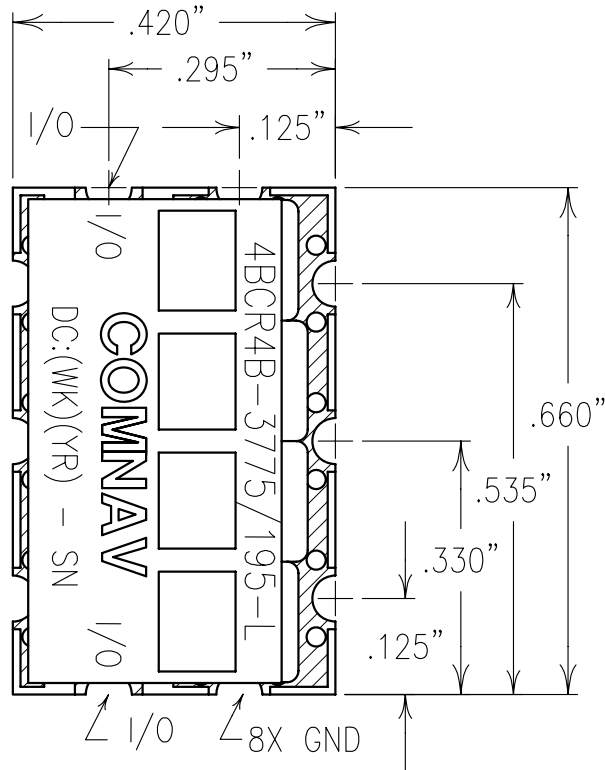
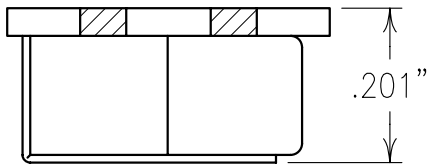
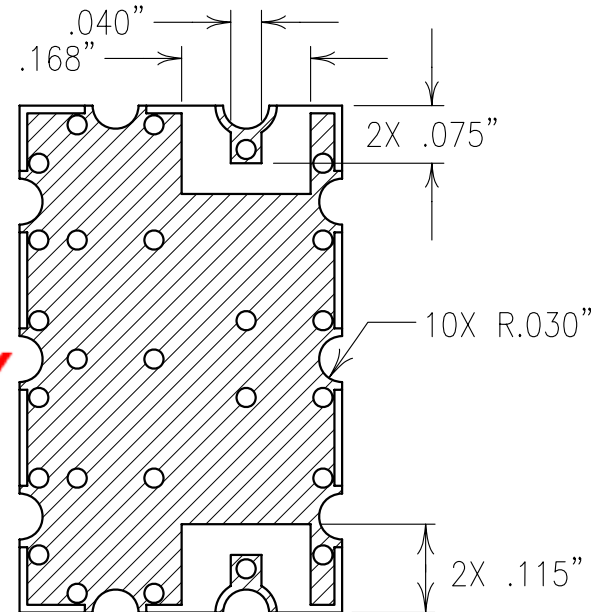


2

1



COPY



ELECTRICAL CHARACTERISTICS

CENTER FREQUENCY:	3775 MHz	REJECTION:	
PASSBAND:	3700-3850 MHz	40 dBc MIN @ 500-2400 MHz	
PASSBAND VARIATION:	0.5 dB MAX	35 dBc MIN @ 2401-3500 MHz	
PASSBAND INSERTION LOSS:	1.5 dB MAX	20 dBc MIN @ 3600 MHz	
PASSBAND VSWR:	1.5:1	20 dBc MIN @ 3950 MHz	
PASSBAND GROUP DELAY:	<0.5 NS PK-PK	35 dBc MIN @ 4050-6000 MHz	

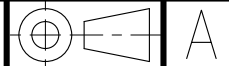
NOTES:

RECOMMENDED ATTACHMENT METHOD: SILVER EPOXY OR REFLOW NOT TO EXCEED AS INDICATED BELOW:
TEMP.(°C) MAX. TIME(SEC)

215	90
230	60
245	30
260	15

FILTER MAY BE LABELED OR ETCHED.
FILTER IS ROHS COMPLIANT.

or Use V as of the Creation, last revision, and last updated dates. All Rights Reserved.



ENGLISH / METRIC ENGLISH	CHECKED BY				
TO BE 125 ✓	DRAWN BY PBF	A	19JUL06	KJR	DEV. GEN. REV. PER 2542
ENGLISH (INCHES) .XX ±.02 .XXX ±.010	ENGINEER KJR	II	23FEB06	KJR	DEV. INI. ISS. PER 2493
ETRIC (MM)	SCALE 4:1	REV	DATE	BY	DCN No. REMARKS
ANGLES ± 0° 30'	DATE 19JUL06	APPLIC: CERAMIC COAXIAL FILTER			
	TITLE: 4BCR4B-3775/195-L	FINISH: BOARD: NI/GOLD JACKET: NI/SILVER RESONATOR: SILVER			
		DRAWING No. 0L0632		SHEET OF 1 1	