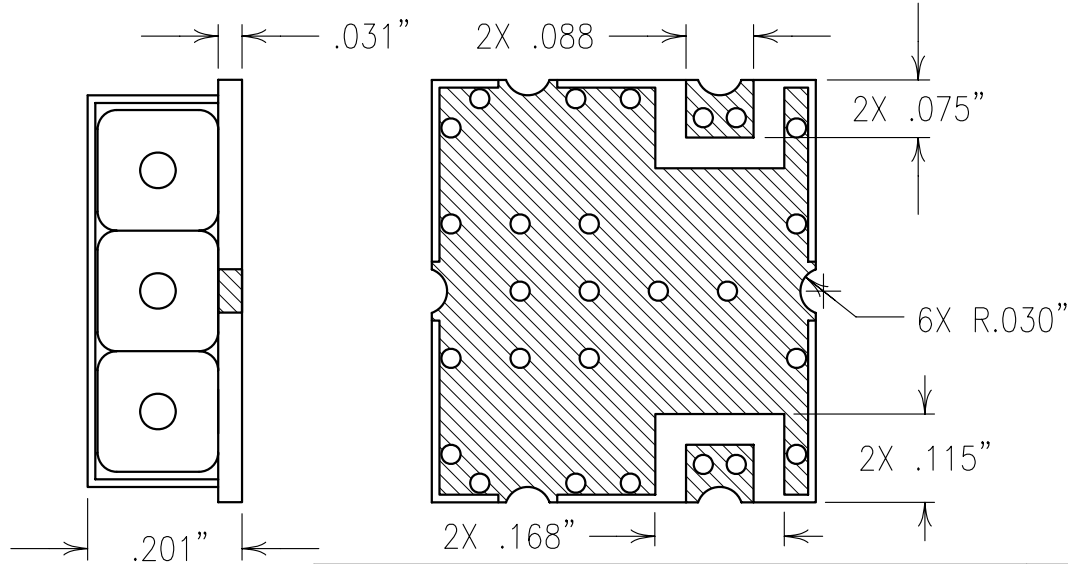
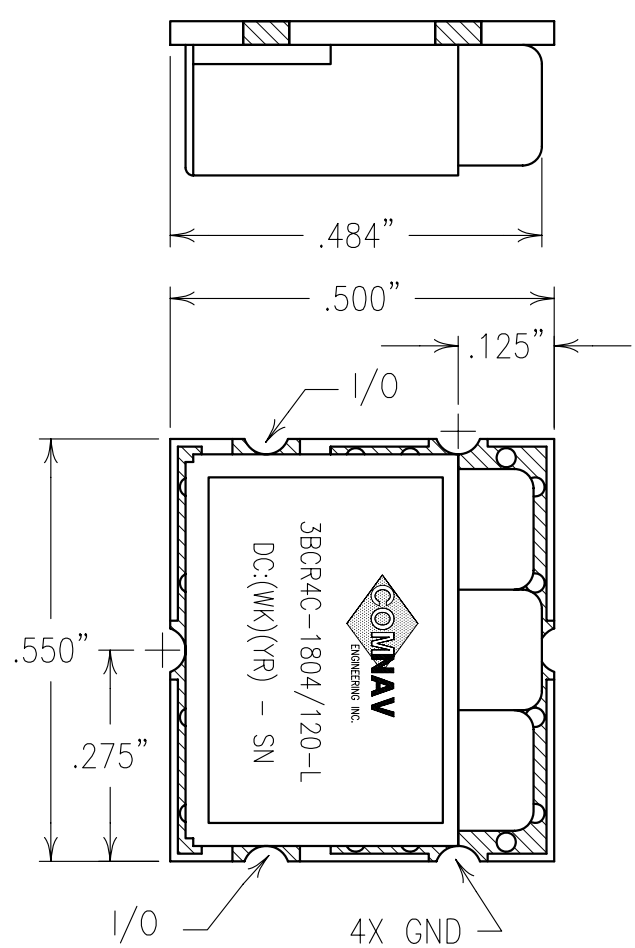


2

1

ELECTRICAL CHARACTERISTICS	
CENTER FREQUENCY:	1804 MHz
PASSBAND:	1755-1850 MHz
PASSBAND INSERTION LOSS:	1.5 dB MAX
VSWR:	1.7:1 MAX TYP.
45 dBc MIN REJECTION @ 1450 MHz	
40 dBc MIN REJECTION @ 2150 MHz	

COPY



NOTES:

FOR RECOMMENDED FOOTPRINT SEE FP0009.

RECOMMENDED ATTACHMENT METHOD: SILVER EPOXY
OR REFLOW NOT TO EXCEED AS INDICATED BELOW:

TEMP.(°C)	MAX.TIME(SEC)
215	90
230	60
245	30
260	15

FILTER MAY BE ETCHED OR LABELED.
FILTER IS ROHS COMPLIANT.

Confidential and Proprietary information of ComNav Engineering Inc. Do Not Duplicate or Use Without Permission. ComNav Engineering Inc. claims Copyright in this document as of the Creation, last revision, and last updated dates. All Rights Reserved.

ENGLISH / METRIC ENGLISH		CHECKED BY			
TOLERANCES UNLESS OTHERWISE SPECIFIED		DRAWN BY			
MACHINED SURFACES TO BE 125 / OR BETTER		PBF			
REMOVE ALL BURRS		ENGINEER		II 23FEB06 GML DEV. INI. ISS. PER 2490	
		GML		REV DATE BY DCN No. REMARKS	
ENGLISH (INCHES)	METRIC (MM)	SCALE		APPLIC: CERAMIC COAXIAL FILTER	
.XX ±.02	.X ±.25	4:1		TITLE: 3BCR4C-1804/120-L	
.XXX ±.010	.XX ±.13	DATE			
ANGLES ± 0° 30'		23FEB06			
COMNAV ENGINEERING INC.		FINISH: BOARD: NI/AU PLATED COPPER JACKET: NI/SILVER RESONATOR: SILVER		DRAWING No. 010630	
				SHEET OF 1 1	